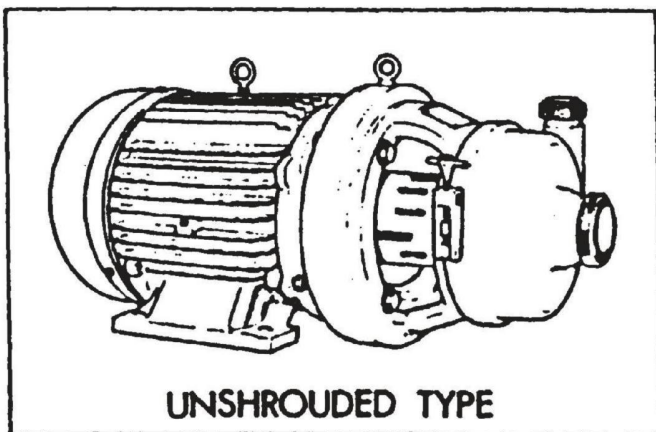
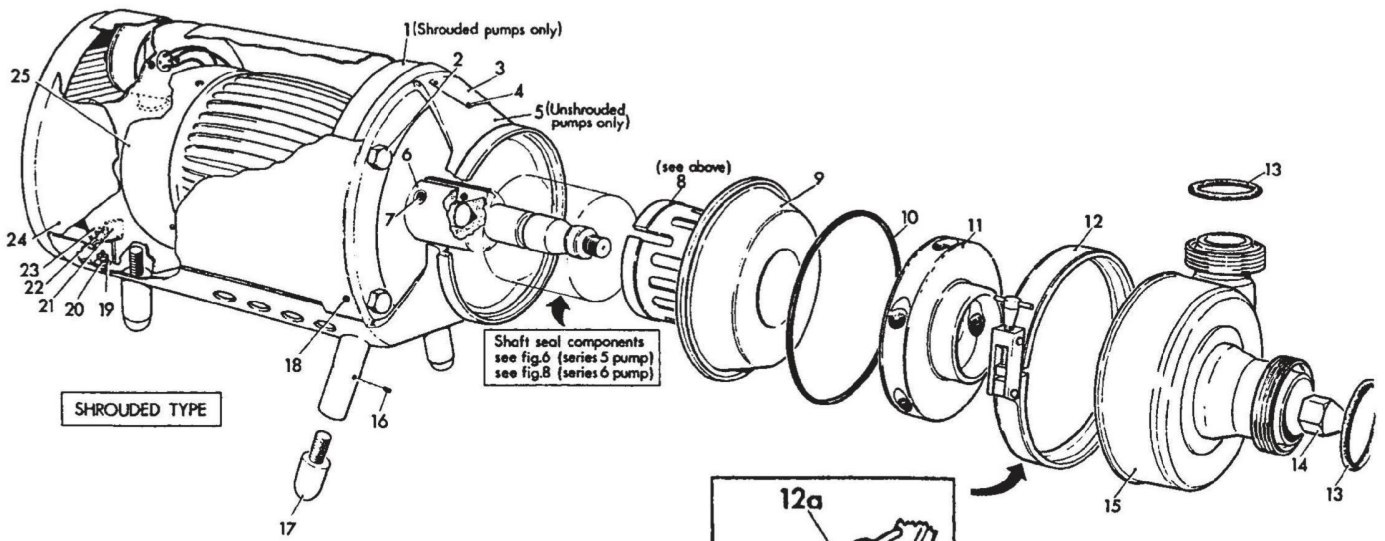
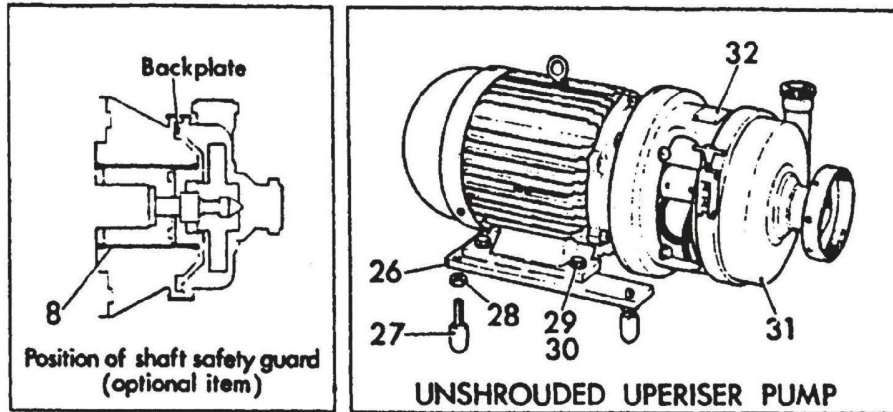


APV Puma Pump Series V & VI

Exploded View - Shrouded Pump (Series V & VI)



 **Puma Pump Series V & VI (contd)**

PUMA PUMP SERIES V & VI - INCLUDING 1 1/2/2/ 7 PUMP, SERIES 2								
ITEM	DESCRIPTION	No. off	1 1/2/2/7	2/2/9	2 1/2/9	2/3/9	2/3/11	3/4/11
Page 12								
1	Main supporting frame and cradle: 1.1 kW shrouded motor 2.2 kW shrouded motor 4.0 kW shrouded motor 5.5 kW shrouded motor	1	206513 - - -	- 206552 206554 -	- 206552 206554 -	- 206552 206554 -	- - 206558 206560	- - - -
2	Setscrews for above frame, Hex. hd. 1.1 kW motor size 2.2 kW motor size Larger sizes	4	431635 - -	- 431645 431666	- 431645 431666	- 431645 431666	- - 431666	- - -
	Nut, hexagon, for above	††	4	417864 - -	- 417865 417867	- 417865 417867	- 417865 -	- - -
3	Nameplate in English in German	1	457841 457843	457841 457843	457841 457843	457841 457843	457841 457843	457841 457843
4	Pin, rd.hd. No.4, for above	4	434261	434261	434261	434261	434261	434261
5	Extension frame for unshrouded motors	1	321976	-	-	322001	322002	322002
2	Setscrew for above frame, hex. hd.	4	431635 -	- -	- -	- 460158	- 460158	- 460158
	Nut, hexagon, for above	††	4	417864 -	- -	- -	- 460212	- 460212
	Washer	††	4	- -	443518 443520	443518 443520	443518 443520	- 460317
6	Shaft, stub 1 in. dia. 1 1/2 in. dia. for larger motors	1	354347 - - -	- 354341 354342 -	- 354341 354342 354343	- 354341 354342 354343	- - 354342 354343	- - - 354339
7	Screw, cap, socket head 1/4 in. B.S.F. 5/16 in. B.S.F. 3/8 in. B.S.F.	2	445244 - -	445244 - -	445244 445245 -	445244 445245 445247	445244 445245 445247	- - 445247
8	Safety guard, stub shaft 1.1 kW unshrouded motor 1.1 kW shrouded motor 2.2 kW shrouded motor 4.0 kW shrouded motor 5.5 & 7.5 kW shrouded motors 11, 15 & 18.5 kW unshrouded motors	W/O	231132 231125 - - - -	- - 231126 231127 -	- - 231126 231127 231128 -	- - 231126 231127 231128 231131	- - - 231127 231128 231128 231131	- - - - - 231131
9	Backplate 1 in. dia. pump shaft 1 1/2 in. dia. pump shaft	1	341365 -	338815 -	338815 -	338815 336469	338816 336470	- 336470
10	Joint, body	1	413859	413800	413800	413800	413858	413858
11	Impeller for 1 in. dia. pump shaft without balancing holes Size 3 1/2 in. (89 mm) Size 3 3/4 in. (95 mm) Size 4 in. (102 mm) Size 4 3/8 in. (111 mm)	1	325802 325803 325804 325805	- - - -	- - - -	- - - -	- - - -	- - - -

†† not illustrated

 **Puma Pump Series V & VI (contd)**

PUMA PUMP SERIES V & VI - INCLUDING 1 1/2/2/ 7 PUMP, SERIES 2								
ITEM	DESCRIPTION	No. off	1 1/2/2/7	2/2/9	2/2 1/2/9	2/3/9	2/3/11	3/4/11
Page 12								
11 (cont)	Size 4 7/8 in. (124 mm)		325806	-	-	-	-	-
	Size 5 1/4 in. (133 mm)		325807	-	-	-	-	-
	Size 5 in. (127 mm)		-	-	-	326088	-	-
	Size 5 1/2 in. (140 mm)		-	-	-	326087	-	-
	Size 6 in. (152 mm)		-	-	-	326086	-	-
	Size 6 1/2 in. (165 mm)		-	-	-	326085	-	-
	Size 7 in. (178 mm)		-	-	-	326084	-	-
	Size 7 1/2 in. (191 mm)		-	-	-	326083	326083	-
	Size 8 in. (203 mm)		-	-	-	-	325817	-
	Size 8 1/2 in. (216 mm)		-	-	-	-	325818	-
	Size 9 in. (229 mm)		-	-	-	-	325819	-
	Size 9 1/2 in. (241 mm)		-	-	-	-	325820	-
	for 1 in. dia. pump shaft with balancing holes							
	Size 5 in.		-	326039	326039	326094	-	-
	Size 5 1/2 in.		-	326038	326038	326093	-	-
	Size 6 in.		-	326037	326037	326092	-	-
	Size 6 1/2 in.		-	326036	326036	326091	-	-
	Size 7 in.		-	326035	326035	326090	-	-
	Size 7 1/2 in.		-	326034	326034	326089	326089	-
	Size 8 in.		-	-	-	325821	325821	-
	Size 8 1/2 in.		-	-	-	325822	325822	-
	Size 9 in.		-	-	-	325823	325823	-
	Size 9 1/2 in.		-	-	-	325824	325824	-
	for 1 1/2 in. dia. pump shaft without balancing holes							
	Size 5 in.		-	-	-	325891	-	-
	Size 5 1/2 in.		-	-	-	325892	-	-
	Size 6 in.		-	-	-	325893	-	-
	Size 6 1/2 in.		-	-	-	325894	-	-
	Size 7 in.		-	-	-	325895	-	-
	Size 7 1/2 in.		-	-	-	325896	325896	-
	Size 8 in.		-	-	-	-	325706	-
	Size 9 in.		-	-	-	-	325708	-
	Size 9 1/2 in.		-	-	-	-	325709	-
	for 1 1/2 in. dia. pump shaft with balancing holes							
	Size 5 in.		-	-	-	325700	-	-
	Size 5 1/2 in.		-	-	-	325701	-	-
	Size 6 in.		-	-	-	325702	-	-
	Size 6 1/2 in.		-	-	-	325703	-	-
	Size 7 in.		-	-	-	325704	-	325898
	Size 7 1/2 in.		-	-	-	325705	325705	-
	Size 8 in.		-	-	-	-	325711	-
	Size 8 1/2 in.		-	-	-	-	325712	-
	Size 9 in.		-	-	-	-	325713	-
	Size 9 1/2 in.		-	-	-	-	325714	-
12	Clamping collar assembly	1	228719	228717	228717	228717	228721	228721
12A	Tommy bar for clamping collar	1	-	-	-	-	304079	304079
13	Ring, joint, RJT	As reqd						
	Size 1 1/2 in.		413509	-	-	-	-	-
	Size 2 in.		413510	413510	413510	413510	413510	-
	Size 2 1/2 in.		-	-	413512	-	-	-
	Size 3 in.		-	-	-	413514	413514	-
	Size 4 in.		-	-	-	-	-	413517
14	Nut, impeller	1						
	1 in. dia pump shaft		334736	335750	335750	335750	-	-
	1 1/2 in. dia pump shaft		-	-	-	335745	335745	335745

†† not illustrated

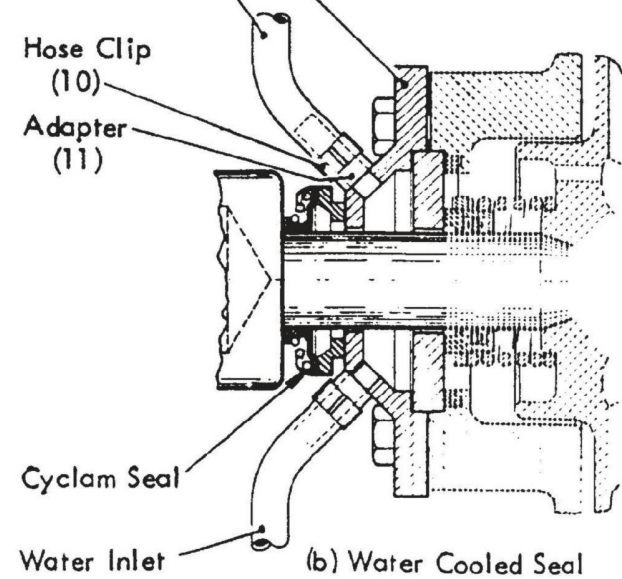
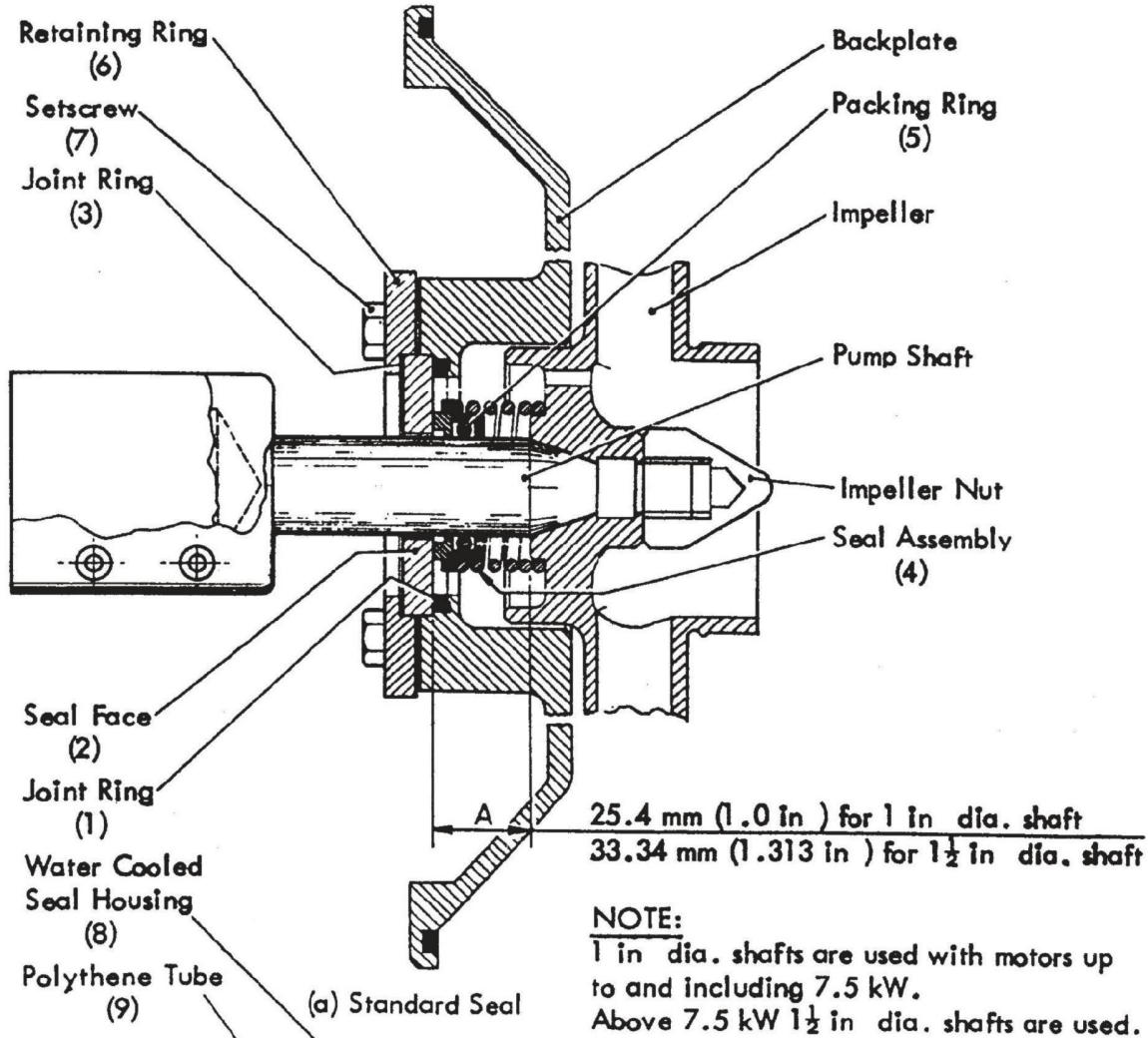


Puma Pump Series V & VI (contd)

PUMA PUMP SERIES V & VI - INCLUDING 1 1/2/ 2/ 7 PUMP, SERIES 2								
ITEM	DESCRIPTION	No. off	1 1/2/2/7	2/2/9	2 1/2/9	2/3/9	2/3/11	3/4/11
15	Body, pump	1						
	RJT connections		225568	200763	200769	200798	207100	207673
	ISS connections		225569	200764	200770	200799	207101	207674
	FOR SHROUDED MOTORS ONLY:							
16	Grubscrew 2BA, slot head	3	434106	434110	434110	434110	434110	-
17	Foot, ball	3	337659	337600	337600	337600	337600	-
18	Setscrew, 2BA, round head	1 or 2	432410	432410	432410	432410	432410	-
19	Washer, plain, 1/4 in.	1	443816	443816	443816	443816	443816	-
20	Bolt, hex. head, 1/4 in. B.S.W.	1	431625	431625	431625	431625	431625	-
21	Clip	2	314254	314253	314253	314253	314253	-
22	Screw, OBA, cheese head	2	254111	-	-	-	-	-
	2BA, cheese head	2	-	452601	452601	452601	452601	-
23	Baffle plate and terminal box assembly	1	228537	228543	228543	228543	228543	-
	Earth cable	††	442010	442011	442011	442011	442011	-
	Grommet	††	410500	410500	410500	410500	410500	-
24	Shroud, case assembly	1	227418	227417	227417	227417	227417	-
	Eyebolt, for unshrouded motors only	††	2	-	-	402358	402358	402358
25	Motor, electric, 3 ph. 50 Hz	1						
	Shrouded pumps:							
	1.1 kW 220/380-420 V		415732	-	-	-	-	-
	2.2 kW 220/380-420 V		-	457132	457132	457132	-	-
	4.0 kW 380-420 V		-	457103	457103	457103	457103	-
	5.5 kW 380-420 V		-	-	457105	457105	457105	-
	7.5 kW 380-420 V		-	-	457107	457107	457107	-
	Unshrouded pumps:							
	1.1 kW 220/380-420 V		415734	-	-	-	-	-
	11.0 kW 380-420 V		-	-	-	416672	416672	-
15.0 kW 380-420 V		-	-	-	416673	416673	416673	
18.5 kW 380-420 V		-	-	-	-	-	416674	
26	Modified or additional components for unshrouded Series 6 pump for APV UPERISER units only	2	-	-	-	-	343937	-
27	Foot, ball, adjustable	4	-	-	-	-	337600	-
28	Locknut, 3/8 in. BSF, hex.	4	-	-	-	-	418660	-
29	Setscrew, 1/2 in. BSW x 1 1/8 in. lg., hex. head	4	-	-	-	-	453370	-
30	Washer, plain, 1/2 in.	4	-	-	-	-	443520	-
31	Body, pump	1	-	-	-	-	205975	-
32	Nameplate	1	-	-	-	-	457842	-
	TOOLS	††						
	Hex. Wrench (Allen key) for stub shaft screws:							
	3/16 in. A/F for 1 in. dia. shaft		414105	414105	414105	414105	414105	-
	7/32 in. A/F for 1 1/2 in. dia. shaft		-	-	-	414106	414106	414106
	Spanner for impeller nut:	1						
	1 in. dia shaft		438986	438928	438928	438928	438928	-
	1 1/2 in. dia shaft		-	-	-	438919	438919	-
	Spacer collar (See page 2)	1						
	1 in. dia shaft		347651	347651	347651	347651	347651	-
	1 1/2 in. dia shaft		-	-	-	347672	347672	347672
	Assembly tools for aseptic seal	1						
	Assembly sleeve to fit seals							
	1 in. dia shaft		-	-	-	353320	353320	-
	1 1/2 in. dia shaft		-	-	-	353329	353329	-
	Assembly tools for seal faces	1						
	1 in. dia shaft		-	-	-	353319	353319	-
	1 1/2 in. dia shaft		-	-	-	353328	353328	-
	O-ring for use with above tool to protect lapped faces (See Page 11 for Code Numbers)							

†† not illustrated

APV Puma Pump Series V & VI (contd)



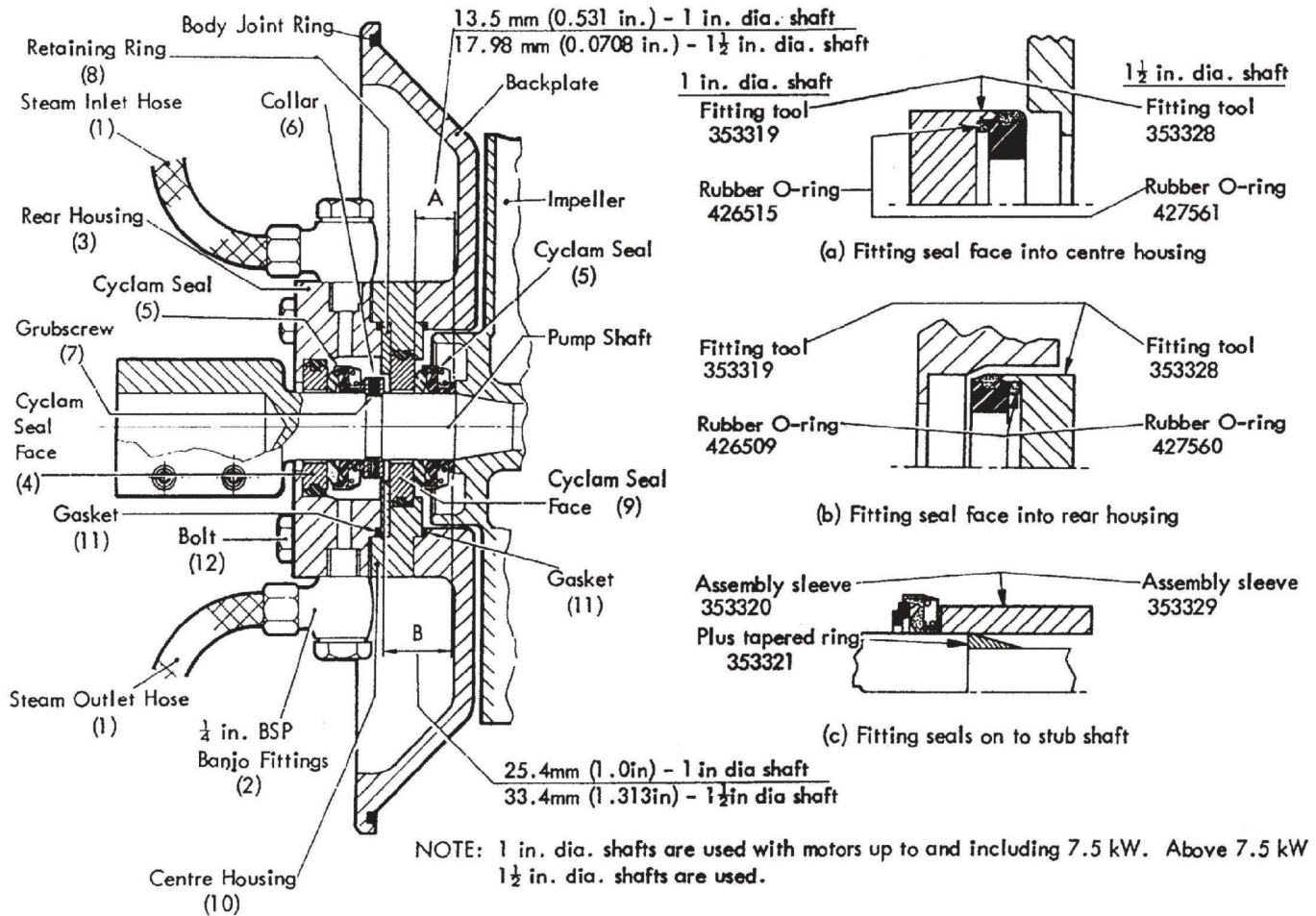
Flexibox Seals



 **Puma Pump Series V & VI (contd)**

PUMA PUMP SERIES V & VI - INCLUDING 1 1/2/ 7 PUMP, SERIES 2								
ITEM	DESCRIPTION	No. off	1 1/2/7	2/2/9	2/2 1/2/9	2/3/9	2/3/11	3/4/11
Page 16	NON-WATER COOLED FLEXIBOX SEAL							
1	Joint, seal face, gasket 1 in. dia shaft 1 1/2 in. dia shaft	1	413812 -	413812 -	413812 -	413812 413997	413812 413997	- 413997
2	Seal face 1 in. dia shaft 1 1/2 in. dia shaft	1	459646 -	459646 -	459646 -	459646 459641	459646 459641	- 459641
3	Joint, retaining ring, gasket 1 in. dia shaft 1 1/2 in. dia shaft	1	444000 -	444000 -	444000 -	444000 413998	444000 413998	- 413998
4	Seal assembly: Flexibox R2540-73R 1 in. dia shaft Flexibox RG1500A-93R 1 1/2 in. dia shaft	1	427840 -	427840 -	427840 -	427840 459642	427840 459642	- 459642
5	'O' ring (packing ring) 1 in. dia shaft 1 1/2 in. dia shaft	1	426753 -	426753 -	426753 -	426753 426509	426753 426509	- 426509
6	Retaining ring, 1 in. dia shaft Retaining ring, 1 1/2 in. dia shaft	1 or 1	344394 -	344394 -	344394 -	344394 343438	344394 343438	- 343438
7	Setscrew, 5/16 in. B.S. hex. head	3	431724	431724	431724	431724	431724	431724
	EXTRA ITEMS REQUIRED FOR WATER-COOLED SEAL							
8	In place of item 6: Housing, 1 in. dia shaft Housing, 1 1/2 in. dia shaft	1 or 1	208836 -	208836 -	208836 -	208836 208859	208836 208859	- 208859
9	Tube, polythene, 3/8 in. o.d. x 18 in. long	2	182615	182615	182615	182615	182615	182615
10	Hose clip	2	406208	406208	406208	406208	406208	406208
11	Adaptor, 3/8 in. o.d. to 1/8 in. B.S.P.	2	353158	353158	353158	353158	353158	353158
12	Seal assembly: Cyclom ADN1B25.47.13PR, 1 in. dia shaft Cyclom ADN1A38.65.18PR, 1 1/2 in. dia shaft		427866 -	427866 -	427866 -	427866 459643	427866 459643	- 459643

APV Puma Pump Series V & VI (contd)



Cyclam Aseptic Seal



 **Puma Pump Series V & VI (contd)**

PUMA PUMP SERIES V & VI - INCLUDING 1 1/2/2/ 7 PUMP, SERIES 2								
ITEM Page 18	DESCRIPTION	No. off	1 1/2/2/7	2/2/9	2/2 1/2/9	2/3/9	2/3/11	3/4/11
	ASEPTIC SEAL							
1	Hose, steam, 1/4 in. i.d. x 18 in. long	2	-	-	-	410922	410922	-
2	Banjo fitting, 1/4 in. B.S.P.	2	-	-	-	400146	400146	-
3	Rear housing 1 in. dia shaft 1 1/2 in. dia shaft	1	-	-	-	324904 324936	324904 324936	-
4	Seal face, steam 1 in. dia shaft 1 1/2 in. dia shaft	1	-	-	-	356067 356069	356067 356069	-
5	Seal Cyclom ADN14K.25.47.13PR, 1 in. dia shaft Cyclom ADN14K.38.65.18PR, 1 1/2 in. shaft	2	-	-	-	459149 459647	459149 459647	-
6	Collar 1 in. dia shaft 1 1/2 in. dia shaft	1	-	-	-	314682 314695	314682 314695	-
7	Grubscrew, 2BA x 1/4 in. long	2	-	-	-	434106	434106	-
8	Retaining ring 1 in. dia shaft 1 1/2 in. dia shaft	1	-	-	-	345088 355629	345088 355629	-
9	Seal face, product 1 in. dia shaft 1 1/2 in. dia shaft	1	-	-	-	356068 356070	356068 356070	-
10	Centre housing 1 in. dia shaft 1 1/2 in. dia shaft	1	-	-	-	324903 324935	324903 324935	-
11	Gasket 1 in. dia shaft 1 1/2 in. dia shaft	2	-	-	-	449115 449149	449115 449149	-
12	Bolt, 5/16 in. BSF, hex. head 1 in. dia shaft 1 1/2 in. dia shaft	3	-	-	-	403219 403223	403219 403223	-
	Spares pack comprising items 4, 9 & 11 1 in. dia shaft 1 1/2 in. dia shaft	1	-	-	-	245279 223332	245279 223332	-
	Shaft, stub 1 in. dia 2.2 kW motor 4.0 kW motor 5.5 & 7.5 kW motor 1 1/2 in. dia. for 11 kW motor	1	-	-	-	354344 354345 354346 -	- 354345 354346 354340	-