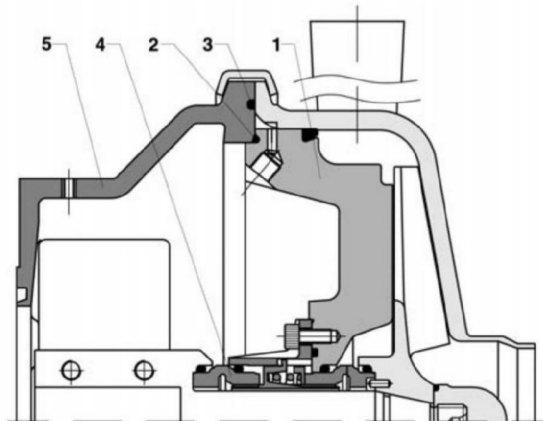


**APV W+ Pump Shaft (contd)**

PUMP TYPE	MOTOR								
	90	100	112	132	160	180	200	225	250
<b>SHAFT Ø35</b>									
W+25/210					261551	261563	261552	261552	
W+30/120	261561	261562	261562	261550	261551	261563	261552		
W+55/60	261561	261562	261562	261550	261551	261563	261552		
W+60/110	261561	261562	261562	261550	261551	261563	261552	261552	
W+65/350				261550	261551	261563	261552	261552	261554
W+70/40	261561	261562	261562	261550	261551	261563	261552		
W+80/80	261561	261562	261562	261550	261551	261563	261552	261552	261554
W+110/130		261562	261562	261550	261551	261563	261552	261552	261554
<b>Pos.2</b>									
Quantity	2	2	2	2	2	2	2	2	3
Screw	771199	771199	771199	771199	771199	771199	701231	701231	701231

**APV Aseptic Centrifugal Pump WA+**

This is a supplement for the standard W+ pump.  
 The positions shown are included as standard in Wa+. The remaining components: See standard W+ section.



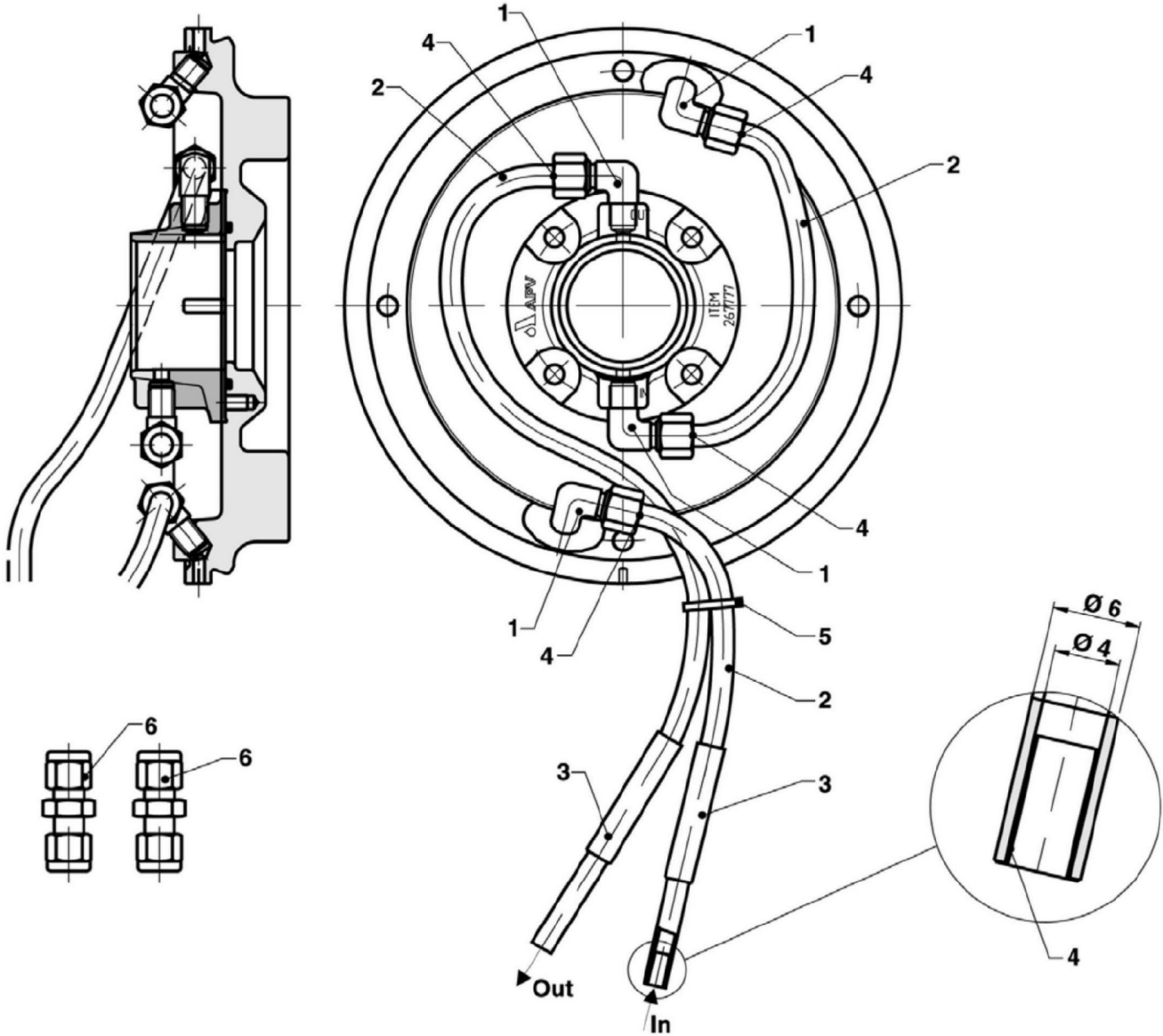
POS	QTY	DESCRIPTION	Wa+10/8	Wa+22/20	Wa+30/80	Wa+30/120	Wa+35/35	Wa+35/55
**1	1	Back plate	***188739	***261576	261577	261580	261578	261579
2	1	O-ring			772570	772571	772570	772570
3	1	O-ring	773080	772594	771905	771908	771905	771905
4	1	Shaft seal - see page 19 in the standard manual for W+ Pumps						
*5	1	Extension frame						
		Motor 80-112	***188739	***261576				
		Motor 90-132			261586	274346	261586	261586
		Motor 160-250			261587	274347	261587	261587

POS	QTY	DESCRIPTION	Wa+50/8	Wa+55/35	Wa+55/60	Wa+60/110	Wa+70/40	Wa+80/80
**1	1	Back plate	182799	261581	261582	261583	261584	261585
2	1	O-ring	772571	772571	772571	772572	772573	772574
3	1	O-ring	773087	771907	771907	771909	772047	772593
4	1	Shaft seal - see page 19 in the standard manual for W+ Pumps						
*5	1	Extension frame						
		Motor 80-112						
		Motor 90-132	800869	261588	261588	261590	261592	261594
		Motor 160-250		261589	261589	261591	261593	261595

\* Replace item No. 1 at page 56 in the standard manual for W+ pumps.  
 \*\* Replace item No. 7 at page 49 in the standard manual for W+ pumps.  
 \*\*\* Identical drawing no. for backplate and extension frame.



Aseptic Centrifugal Pump WA+ (contd)



POS	QTY	DESCRIPTION	PART NO.
1	4	Union Elbow 1/8" RG	773094
2	150cm	PTFE tube OD. Ø6 mm/ID. Ø74 mm	773095
3	20cm	Guard pipe OD. Ø8 mm/ID. Ø6 mm	773096
4*	4	Bushing	773098
5	1	Cable binding strip	773099
<b>Options</b>			
6	2	Straight	773097
4*	2-4	Bushing	773098

Bushing must be filled when used with plast tube.