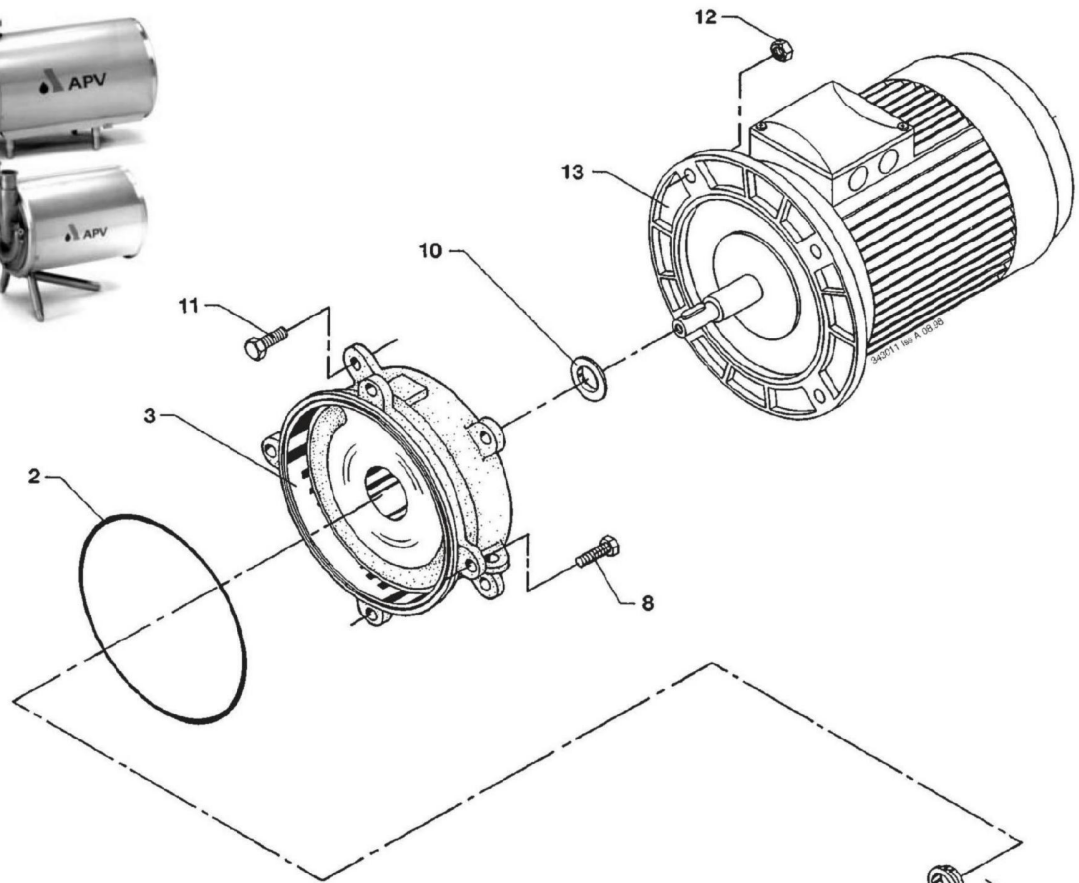
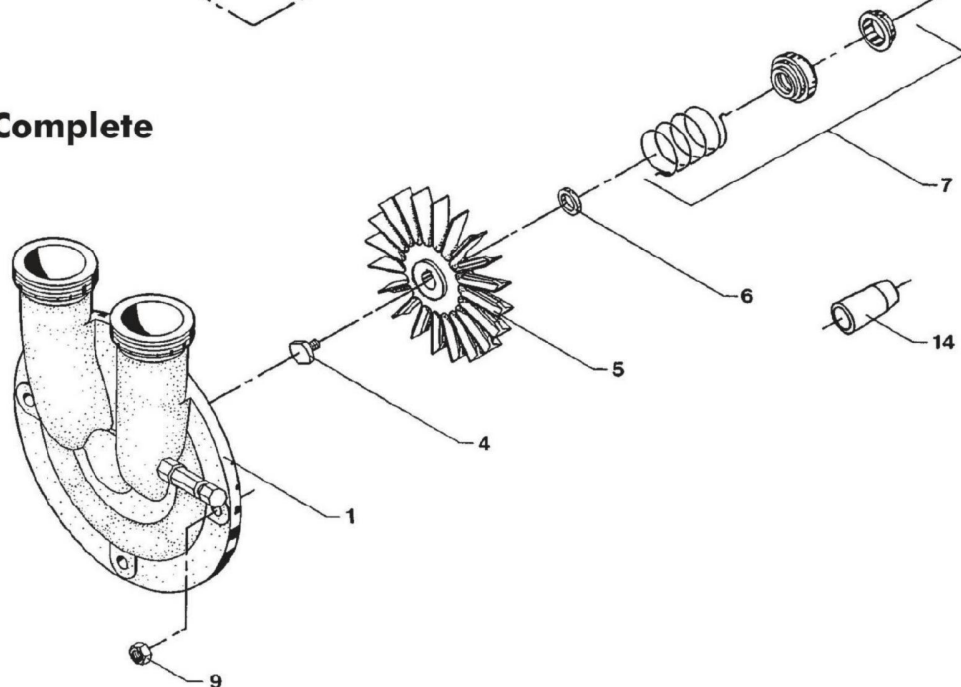


 **ZMS 3 & 4 Pump (50HZ & 60HZ)**



ZMS 3 & 4 Pump Complete

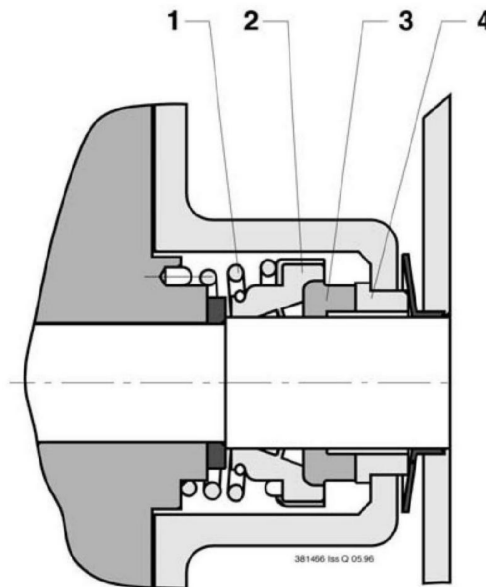


APV ZMS 3 & 4 Pump Complete (contd)

		ZMS 3		ZMS 4		
		MOTOR				
		50HZ	2.2KW	4KW	5KW	
		60HZ	4.6KW		6.3KW	
Pos	Qty	Description	Part Number			
1	1	Cover	183038	183038	183038	183038
2	1	O-ring - Nitrile	773202	773202	773203	773203
	1	O-ring - EPDM	773206	773206	773207	773207
3	1	Pump Housing	228942	228942	228929	228929
4	1	Screw	179753	179753	179753	179753
5	1	Impeller	240165	240165	240079	240079
6	1	Shim	241335	241335	241335	241335
7*	1	Shaft Seal				
8	4	Screw	700868	700868	700868	700868
9	4	Nut	700242	700242	700242	700242
10	1	Deflector	400547	400547	400547	400547
11	4	Screw	702996	702996	702996	702996
12	4	Nut	700242	700242	700242	700242
13	1	Motor	771818	771818	771818	771818
14	1	Sleeve	242963	242963	242963	242963

*Separate spare-parts drawing below

APV ZMS 3 & 4 Shaft Seal



		*NBR		EPDM	
Pos	Qty	Description	Part Number		
-	-	Shaft seal	705522	771703	
1	1	Spring			
2	1	Sealing Lip			
3	1	Carbon Ring			
4	1	Stainless Steel Ring			