



Delta DKR 2 Double Seat Ball Valve with Cleaning Connection

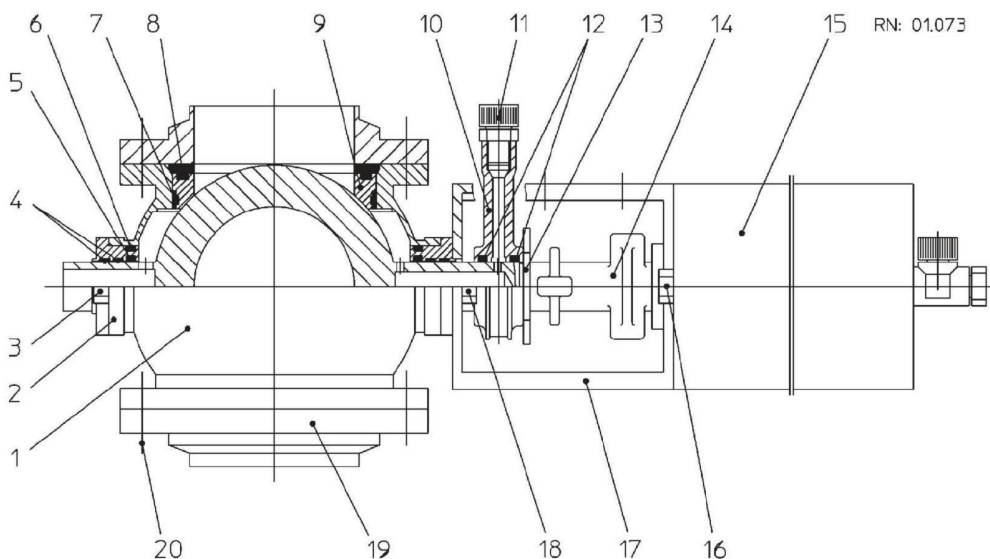
The following materials are available (fill in last two digits of ref.-no.)

- * material seals:
 ..13-Silicon
 ..33-HNBR
 ..73-Viton
 ..93-EPDM

For Silicone take the EPDM-housing seal.

- ** Material metallic+seal:
 ..22-EPDM 1.4404
 ..29-HNBR 1.4404
 ..59-EPDM 1.4404
 ..61-Silicon 1.4404
 ..69-Viton

- *** O-Ring:
 ..73-
 ..83-NBR 70-75 to be used with EPDM and Silicone.



DELTA DKR 2 DOUBLE SEAL BALL VALVE DN 1-4 TUBE 1+2S



			DELTA DKR 2 DOUBLE SEAL BALL VALVE DN 1"-4" TUBE 1+2S					
			1T	1.5T	2T	2.5T	3T	4T
Pos	Qty	Description	Part Number					
1	1	Valve Body	31-08-277/47	31-08-377/47	31-08-427/47	31-08-477/47	31-08-477/47	31-08-627/47
2	2	Bearing	15-28-124/42	15-28-124/42	15-28-124/42	15-28-124/42	15-28-124/42	15-28-125/42
3	2	Hex. Screw	65-01-080/15	65-01-080/15	65-01-080/15	65-01-080/15	65-01-080/15	65-01-129/15
4		Guide	08-39-079/93	08-39-079/93	08-39-079/93	08-39-079/93	08-39-079/93	08-39-079/93
5	2	O-Ring ***	58-06-078/	58-06-078/	58-06-078/	58-06-078/	58-06-078/	58-06-078/
6	2	O-Ring ***	58-06-119/	58-06-119/	58-06-119/	58-06-119/	58-06-119/	58-06-119/
7	2	Housing Seal *	58-33-292/	58-33-292/	58-33-392/	58-33-492/	58-33-492/	58-33-642/
8	2	Seal *	58-32-277/	58-32-377/	58-32-427/	58-32-477/	58-32-477/	58-32-627/
9	2	Ball Seal	58-32-291/23	58-32-391/23	58-32-441/23	58-32-491/23	58-32-491/23	58-32-641/23
10	1	CIP Connection	08-52-136/92	08-52-136/92	08-52-136/92	08-52-136/92	08-52-136/92	08-52-136/92
11	1	Union	08-63-003/13	08-63-003/13	08-63-003/13	08-63-003/13	08-63-003/13	08-63-003/13
12	2	O-Ring ***	58-06-078/	58-06-078/	58-06-078/	58-06-078/	58-06-078/	58-06-078/
13	1	Position Indicator	08-29-021/93	08-29-021/93	08-29-021/93	08-29-021/93	08-29-021/93	08-29-022/93
14	1	Coupling	08-52-050/17	08-52-050/17	08-52-050/17	08-52-050/17	08-52-050/17	08-52-217/17
15	1	Actuator	15-31-055/17	15-31-055/17	15-31-055/17	15-31-055/17	15-31-055/17	15-31-057/17
16	2	Hex. Screw	65-01-080/15	65-01-080/15	65-01-080/15	65-01-080/15	65-01-080/15	65-01-129/15
17	1	Yoke	15-40-164/17	15-40-166/17	15-40-166/17	15-40-166/17	15-40-166/17	15-40-168/17
18	2	Hex. Screw	65-01-079/15	65-01-079/15	65-01-079/15	65-01-079/15	65-01-079/15	65-01-131/15
19	2	Flange	09-51-314/47	09-51-414/47	09-51-464/47	09-51-514/47	09-51-710/47	09-51-664/47
20		Hex. Screw	65-01-081/15	65-01-081/15	65-01-083/15	65-01-083/15	65-01-083/15	65-01-083/15
	1	Double Seat Ball Valve-pneum.actuator **	30-11-315/	30-11-415/	30-11-465/	30-11-515/	30-11-704/	30-11-665/
	1	Ball Valve **	30-11-288/	30-11-388/	30-11-438/	30-11-488/	30-11-488/	30-11-638/
	1	Seal Seat Viton	58-34-279/00	58-34-280/00	58-34-281/00	58-34-282/00	58-34-282/00	58-34-284/00
	1	Seal Seat EPDM	58-34-279/01	58-34-280/01	58-34-281/01	58-34-282/01	58-34-282/01	58-34-284/01
	1	Seal Seat Silicon	58-34-279/02	58-34-280/02	58-34-281/02	58-34-282/02	58-34-282/02	58-34-284/02
	1	Seal Seat HNBR	58-34-279/06	58-34-280/06	58-34-281/06	58-34-282/06	58-34-282/06	58-34-284/06



Delta DKR 2 Double Seat Ball Valve with Cleaning Connection

ATTENTION !!! Item 7a, 8a, 9a only for DN80

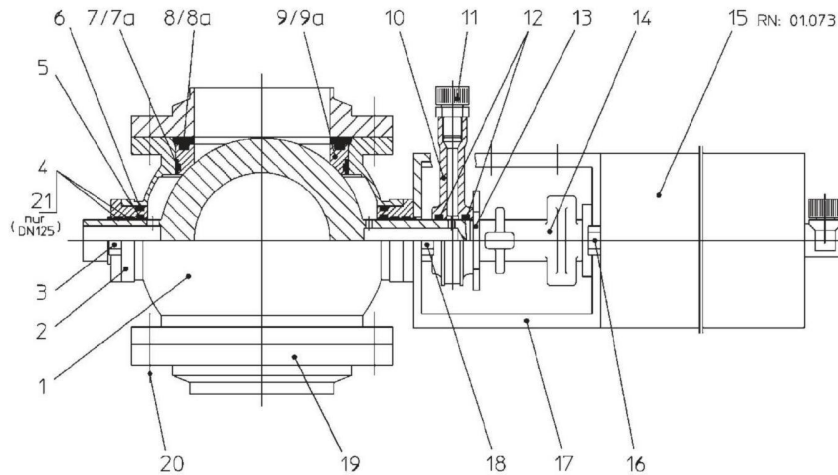
The following materials are available (fill in last two digits of ref.-no.)

- *material seals:
..13-Silicone
..33-HNBR
..73-Viton
..93-EPDM

For Silicone take the EPDM-housing seal.

- **Material metallic+seal:
..22-Teflon 14404
..29-HNBR 14404
..59-EPDM 14404
..61-Silicone 14404
..69-Viton

- ***O-Ring:
..73-Viton
..83-NBR 70-75-to be used with EPDM and Silicone.



DELTA DKR 2 DOUBLE SEAL BALL VALVE DN 25-125 1+25

Pos	Qty	Description	Part Number						
			25	40	50	65	80	100	125
1	1	Valve Body	31-08-277/47	31-08-377/47	31-08-427/47	31-08-477/47	31-08-527/47	31-08-627/47	31-08-677/47
2	2	Bearing	15-28-124/42	15-28-124/42	15-28-124/42	15-28-124/42	15-28-125/42	15-28-125/42	15-28-180/42
3	2	Hex. Screw	65-01-080/15	65-01-080/15	65-01-080/15	65-01-080/15	65-01-129/15	65-01-080/15	65-01-130/15
4		Guide	08-39-079/93	08-39-079/93	08-39-079/93	08-39-079/93	08-39-079/93	08-39-079/93	08-39-079/93
5	2	O-Ring	58-06-078/	58-06-078/	58-06-078/	58-06-078/	58-06-078/	58-06-078/	58-06-078/
6	2	O-Ring	58-06-119/	58-06-119/	58-06-119/	58-06-119/	58-06-119/	58-06-119/	58-06-119/
7	2	Housing Seal *	58-33-292/	58-33-292/	58-33-392/	58-33-492/	58-33-542/33 58-33-542/73	58-33-642/	58-33-692/
7a	2	Housing Seal (only to be used for DN80)					58-33-545/13 58-33-545/93		
8	2	Seal Flange *	58-32-277/	58-32-377/	58-32-427/	58-32-477/	58-32-527/33 58-32-527/73	58-32-627/	58-32-677/
8a	2	Seal Flange (only to be used for DN80)					58-33-544/13 58-33-544/93		
9	2	Ball Seal	58-32-291/23	58-32-391/23	58-32-441/23	58-32-491/23	58-32-541/23	58-32-641/23	58-32-691/23
9a	2	Ball Seal (only to be used for DN80)					58-32-540/23 58-32-540/23		
10	1	CIP Connection	08-52-136/92	08-52-136/92	08-52-136/92	08-52-136/92	08-52-136/92	08-52-136/92	08-52-136/92
11	1	Union	08-63-003/13	08-63-003/13	08-63-003/13	08-63-003/13	08-63-003/13	08-63-003/13	08-63-003/13
12	2	O-Ring	58-06-078/	58-06-078/	58-06-078/	58-06-078/	58-06-078/	58-06-078/	58-06-078/
13	1	Position Indicator	08-29-021/93	08-29-021/93	08-29-021/93	08-29-021/93	08-29-022/93	08-29-022/93	08-29-022/93
14	1	Coupling	08-52-050/17	08-52-050/17	08-52-050/17	08-52-050/17	08-52-217/17	08-52-217/17	08-52-247/17
15	1	Actuator	15-31-055/17	15-31-055/17	15-31-055/17	15-31-055/17	15-31-057/17	15-31-057/17	15-31-923/17
16	2	Hex. Screw	65-01-080/15	65-01-080/15	65-01-080/15	65-01-080/15	65-01-129/15	65-01-129/15	65-01-129/15
17	1	Yoke	15-40-164/17	15-40-166/17	15-40-166/17	15-40-166/17	15-40-168/17	15-40-168/17	15-40-168/17
18	2	Hex. Screw	65-01-079/15	65-01-079/15	65-01-079/15	65-01-079/15	65-01-131/15	65-01-131/15	65-01-131/15
19	2	Flange	09-51-277/47	09-51-377/47	09-51-427/47	09-51-477/47	09-51-527/47	09-51-627/47	09-51-677/47
20		Hex. Screw	8xM8x16 65-01-081/15	8xM8x16 65-01-081/15	8xM8x20 65-01-083/15	8xM8x20 65-01-083/15	8xM8x20 65-01-083/15	16xM8x20 65-01-083/15	16xM10x25 65-01-133/15
21	2	Bearing							08-01-160/93
	1	Double Seal Ball Valve-Pneum.actuator**	30-11-287/	30-11-387/	30-11-437/	30-11-487/	30-11-537/	30-11-637/	30-11-687/
	1	Ball Valve **	30-11-288/	30-11-388/	30-11-438/	30-11-488/	30-11-538/	30-11-638/	30-11-688/
	1	Seal Kit Viton	58-34-279/00	58-34-280/00	58-34-281/00	58-34-282/00	58-34-283/00	58-34-284/00	58-34-285/00
	1	Seal Kit EPDM	58-34-279/01	58-34-280/01	58-34-281/01	58-34-282/01	58-34-283/01	58-34-284/01	58-34-285/01
	1	Seal Kit Silicone	58-34-279/02	58-34-280/02	58-34-281/02	58-34-282/02	58-34-283/02	58-34-284/02	58-34-285/02
	1	Seal Kit HNBR	58-34-279/06	58-34-280/06	58-34-281/06	58-34-282/06	58-34-283/06	58-34-284/06	58-34-285/06