

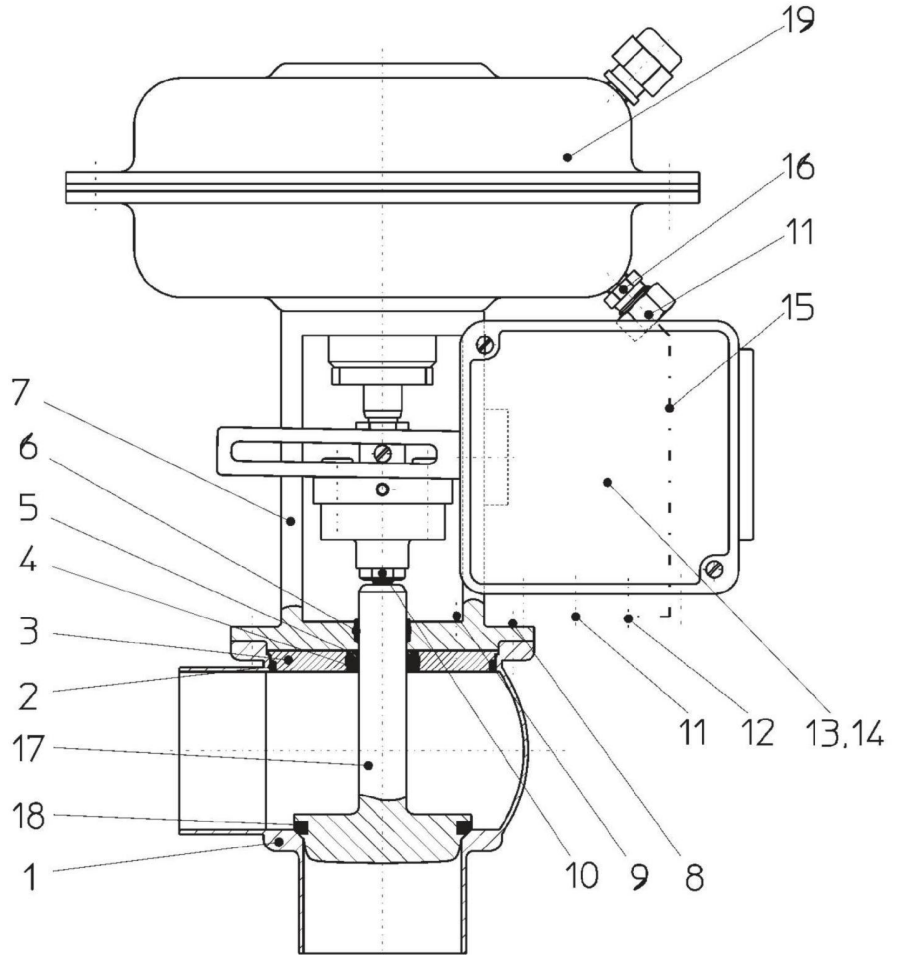
APV Delta RGE4 - MFS - MFH Modulating Valves

The following seal materials are available (fill in last two digits of ref.-no.)

* material seals:

- ../13-Silicone
- ../33-HNBR
- ../73-Viton
- ../93-EPDM

For Silicone take the HNBR-housing seal.



				MODULATING VALVE RGE41 1-4 TUBE					
				1T	1.5T	2T	2.5T	3T	4T
Pos	Qty	Description		Part Number					
1	1	Housing RGE41 1+2S	15-56-310/47	15-56-410/47	15-56-460/47	15-56-510/47	15-56-560/47	15-56-660/47	
	1	Housing RGE41-1.5T/Ø13		15-56-005/47					
	1	Housing RGE41-1.5T/Ø26		15-56-006/47					
2	1	Housing Seal *	58-33-292/	58-33-392/	58-33-442/	58-33-492/	58-33-567/	58-33-642/	
3	1	Housing Cover	15-00-065/42	15-00-069/42	15-00-793/42	15-00-794/42	15-00-799/42	15-00-798/42	
4	1	Seat Seal *	58-33-293/	58-33-293/	58-33-293/	58-33-293/	58-33-293/	58-33-293/	
5	1	Shaft Seal SW4	58-33-150/26	58-33-150/26	58-33-150/26	58-33-150/26	58-33-150/26	58-33-150/26	
6	1	Bushing	08-01-178/93	08-01-178/93	08-01-178/93	08-01-178/93	08-01-178/93	08-01-178/93	
7	1	Yoke	16-40-108/17	16-40-109/17	16-40-110/17	16-40-111/17	16-40-116/17	16-40-113/17	
8	4	Hex. Screw	65-01-079/15	65-01-079/15	65-01-079/15	65-01-079/15	65-01-079/15	65-01-129/15	
9	1	Hex. Screw	65-01-056/13	65-01-081/15	65-01-081/15	65-01-081/15	65-01-081/15	65-01-081/15	
10	1	Mating Nut	21-50-025/15	21-50-025/15	21-50-025/15	21-50-025/15	21-50-025/15	21-50-025/15	
11	2	Air Union	08-60-010/93	08-60-010/93	08-60-010/93	08-60-010/93	08-60-010/93	08-60-010/93	
12	1	Angular Type Air Union	08-63-221/93	08-63-221/93	08-63-221/93	08-63-221/93	08-63-221/93	08-63-221/93	
13	1	El-pneum. Positioner	29-03-030/93	29-03-030/93	29-03-030/93	29-03-030/93	29-03-030/93	29-03-030/93	
	1	El-pneum. Positioner	29-03-031/93	29-03-031/93	29-03-031/93	29-03-031/93	29-03-031/93	29-03-031/93	
14	1	Installation Kit type: ENZG-GN f.regulator	08-48-300/17	08-48-300/17	08-48-300/17	08-48-300/17	08-48-300/17	08-48-300/17	
15	1	Hose	08-75-055/53	08-75-055/53	08-75-055/53	08-75-055/53	08-75-055/53	08-75-055/53	
16	1	Red. Nipple G1/4-G1/8	09-14-040/93	09-14-040/93	09-14-040/93	09-14-040/93	09-14-040/93	09-14-040/93	



Delta RGE4 - MFS - MFH Modulating Valves (contd)

		MODULATING VALVE RGE41 1-4 TUBE								
		DN 1T/kvs		DN 1.5T/kvs						
		6.3	10	2.5	4.0	6.3	10	16	25	
Pos	Qty	Description	Part Number							
17	1	Shaft Flow Character-Linear	15-25-046/42	15-25-047/42	15-25-044/42	15-25-045/42	15-25-046/42	15-25-047/42	15-25-048/42	15-25-049/42
	1	Shaft Flow Character-Equal Percentage	15-25-026/42	15-25-027/42	15-25-024/42	15-25-025/42	15-25-026/42	15-25-027/42	15-25-028/42	15-25-029/42
18	1	Seat Seal *	58-33-294/	58-33-294/	58-33-294/	58-33-294/	58-33-294/	58-33-294/	58-33-394/	58-33-394/
19	1	Diaphragm Actuator 2.4 - 4.5 bar(NC)	16-31-931/93	16-31-931/93	16-31-931/93	16-31-931/93	16-31-931/93	16-31-931/93	16-31-931/93	16-31-931/93
	1	Diaphragm Actuator 0.7 - 1.7 bar(NO)	16-31-932/93	16-31-932/93	16-31-932/93	16-31-932/93	16-31-932/93	16-31-932/93	16-31-932/93	16-31-932/93
	1	Diaphragm Actuator 2.4 - 4.5 bar(NC)							16-31-933/93	16-31-933/93
	1	Diaphragm Actuator 0.7 - 1.7 bar(NO)								
	1	Diaphragm Actuator 0.4 - 4.5 bar(NC)								
	1	Diaphragm Actuator 0.7 - 1.7 bar(NO)								

		MODULATING VALVE RGE41 1-4 TUBE				
		40	63	80	160	
Pos	Qty	Description	Part Number			
17	1	Shaft Flow Character-Linear	15-25-050/42	15-25-051/42	15-25-054/42	15-25-053/42
	1	Shaft Flow Character-Equal Percentage	15-25-030/42	15-25-031/42	15-25-034/42	15-25-033/42
18	1	Seat Seal *	58-33-444/	58-33-494/	58-33-569/	58-33-644/
19	1	Diaphragm Actuator 2.4 - 4.5 bar(NC)				
	1	Diaphragm Actuator 0.7 - 1.7 bar(NO)				
	1	Diaphragm Actuator 2.4 - 4.5 bar(NC)	16-31-933/93	16-31-933/93	16-31-933/93	
	1	Diaphragm Actuator 0.7 - 1.7 bar(NO)	16-31-934/93	16-31-934/93	16-31-934/93	
	1	Diaphragm Actuator 2.4 - 4.5 bar(NC)		16-31-935/93	16-31-935/93	16-31-935/93
	1	Diaphragm Actuator 0.7 - 1.7 bar(NO)				16-31-936/93