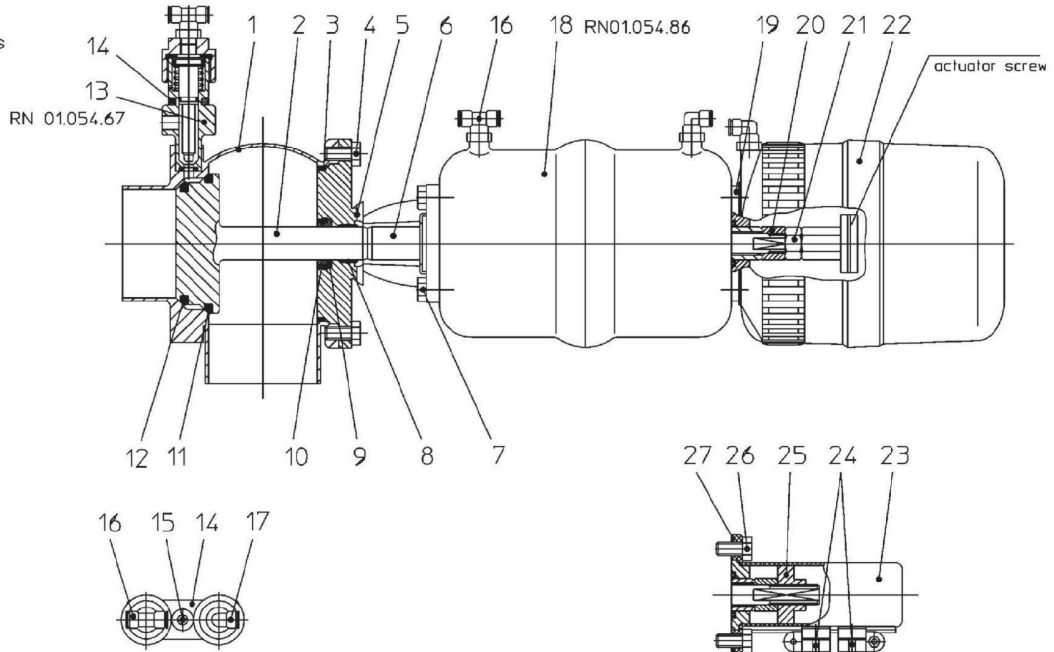




Delta SD4 Double Seal Valve 1"-4" Tube

The following seat materials are available (fill in last two digits of ref.-no.)



\*material seals:  
 ../33-HNBR  
 ../93-EPDM



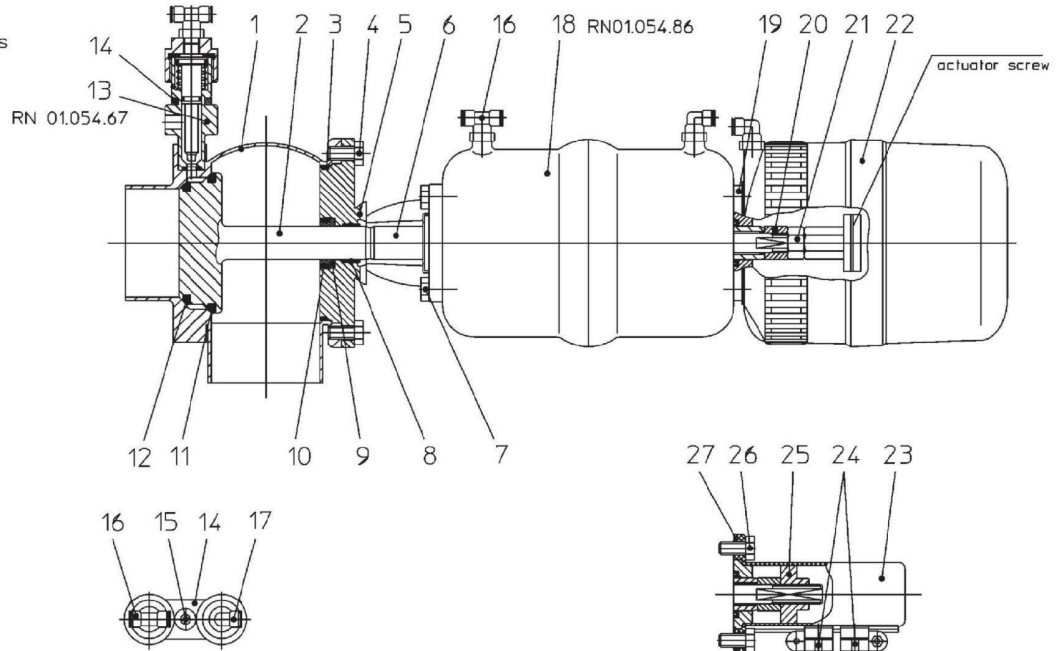
				DELTA SD4 DOUBLE SEAL VALVE 1-4 TUBE					
				1T	1.5T	2T	2.5T	3T	4T
Pos	Qty	Description		Part Number					
1	1	Housing	SD41 1+2S	15-54-310/47	15-54-410/47	15-54-460/47	15-54-510/47	15-54-560/47	15-54-660/47
	1	Housing	SD42 1+2+3S	15-55-310/47	15-55-410/47	15-55-460/47	15-55-510/47	15-55-560/47	15-55-660/47
	1	Housing	SDE43 1+2+3S	15-77-301/47	15-77-401/47	15-77-451/47	15-77-501/47	15-77-551/47	15-77-651/47
	1	Housing	SDE44 1+2+3+4S	15-78-301/47	15-78-401/47	15-78-451/47	15-78-501/47	15-78-551/47	15-78-651/47
2	1	Valve Shaft		15-25-316/42	15-25-416/42	15-25-466/42	15-25-516/42	15-25-566/42	15-25-666/42
3	1	Housing Seal	*	58-33-292/	58-33-392/	58-33-442/	58-33-492/	58-33-567/	58-33-642/
4	4	Hex. Screw		65-01-081/15	65-01-081/15	65-01-081/15	65-01-081/15	65-01-130/15	65-01-130/15
5	1	Yoke		15-40-287/47	15-40-387/47	15-40-437/47	15-40-487/47	15-40-562/47	15-40-637/47
6	1	Guide Rod		15-23-850/12	15-23-850/12	15-23-851/12	15-23-851/12	15-23-852/12	15-23-852/12
7	4	Hex. Screw		65-01-081/13	65-01-081/13	65-01-081/13	65-01-081/13	65-01-083/15	65-01-083/15
8	1	Bushing		08-01-178/93	08-01-178/93	08-01-178/93	08-01-178/93	08-01-178/93	08-01-178/93
9	1	Shaft Seal		58-33-150/26	58-33-150/26	58-33-150/26	58-33-150/26	58-33-150/26	58-33-150/26
10	1	Seat Seal	*	58-33-293/	58-33-293/	58-33-293/	58-33-293/	58-33-293/	58-33-293/
11	1	Seat Seal	*	58-33-394/	58-33-444/	58-33-194/	58-33-569/	58-33-544/	58-33-644/
12	1	Seat Seal	*	58-33-294/	58-33-394/	58-33-444/	58-33-194/	58-33-569/	58-33-644/
13	2	Leakage Valve		20-37-068/	20-37-068/	20-37-068/	20-37-068/	20-37-068/	20-37-068/
14	1	Bracket		08-17-002/12	08-17-002/12	08-17-002/12	08-17-002/12	08-17-002/12	08-17-002/12
15	1	Cyl. Screw		65-05-124/13	65-05-124/13	65-05-126/13	65-05-126/13	65-05-126/13	65-05-126/13
16	1	T-Connector	G 1/8	08-63-370/93	08-63-370/93	08-63-370/93	08-63-370/93	08-63-370/93	08-63-370/93
17	1	Angular Union	G 1/8	08-63-350/93	08-63-350/93	08-63-350/93	08-63-350/93	08-63-350/93	08-63-350/93
18	1	Actuator	Ø74 / Ø110 / Ø165	15-32-050/17	15-32-050/17	15-32-051/17	15-32-050/17	15-32-052/17	15-32-050/17
19	1	CU2-Adapter	SW4, SD4, M4	322000801192	322000801192	322000801192	322000801192	322000801192	322000801192
20	2	Centering Nut		15-28-940/12	15-28-940/12	15-28-940/12	15-28-940/12	15-28-940/12	15-28-940/12
21	1	Hex. Nut		65-50-101/15	65-50-101/15	65-50-101/15	65-50-101/15	65-50-101/15	65-50-101/15
22	1	Control Unit	CU21N	322000804432	322000804432	322000804432	322000804432	322000804432	322000804432
23	1	Proximity Switch Holder Housing-SW4		15-33-932/93	15-33-932/93	15-33-932/93	15-33-932/93	15-33-932/93	15-33-932/93
24	2	Proximity Holder		15-33-933/93	15-33-933/93	15-33-933/93	15-33-933/93	15-33-933/93	15-33-933/93
25	1	Operating Cam		08-52-290/87	08-52-291/87	08-52-291/87	08-52-291/87	08-52-291/87	08-52-291/87
26	4	Hex. Screw		65-01-081/15	65-01-081/15	65-01-081/15	65-01-081/15	65-01-081/15	65-01-081/15
27	1	O-Ring		58-06-297/83	58-06-297/83	58-06-297/83	58-06-297/83	58-06-297/83	58-06-297/83
	1	Seal Kit	EPDM	58-34-750/01	58-34-751/01	58-34-752/01	58-34-753/01	58-34-755/01	58-34-757/01
	1	Seal Kit	HNBR	58-34-750/06	58-34-751/06	58-34-752/06	58-34-753/06	58-34-755/06	58-34-757/06



**Delta SD4 Double Seal Valve (DN25-100)**

The following seal materials are available (fill in last two digits of ref.-no.)

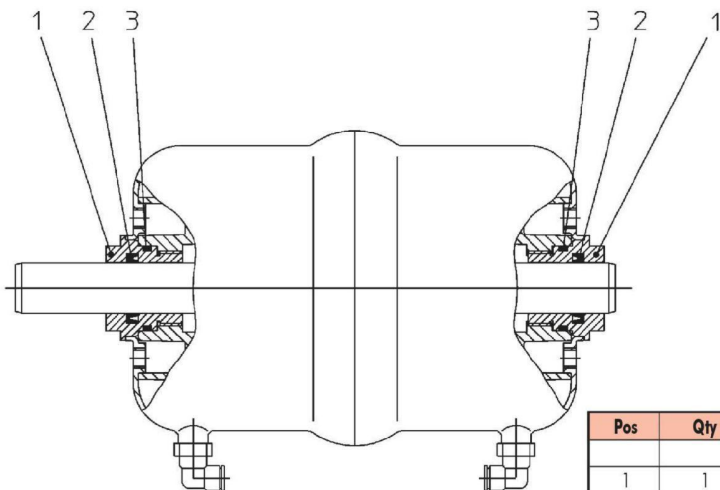
\*material seals:  
../33-HNBR  
../93-EPDM



**DELTA SD4 DOUBLE SEAL VALVE DN25-100**

Pos	Qty	Description	Part Number					
			25	40	50	65	80	100
1	1	Housing SD41 1+2S	15-54-285/47	15-54-385/47	15-54-435/47	15-54-485/47	15-54-535/47	15-54-635/47
	1	Housing SD42 1+2+3S	15-55-285/47	15-55-385/47	15-55-435/47	15-55-485/47	15-55-535/47	15-55-635/47
	1	Housing SDE43 1+2+3S	15-77-276/47	15-77-376/47	15-77-426/47	15-77-476/47	15-77-526/47	15-77-626/47
	1	Housing SDE44 1+2+3+4S	15-78-276/47	15-78-376/47	15-78-426/47	15-78-476/47	15-78-526/47	15-78-626/47
2	1	Valve Shaft	15-25-291/42	15-25-391/42	15-25-441/42	15-25-491/42	15-25-541/42	15-25-641/42
3	1	Housing Seal *	58-33-292/	58-33-392/	58-33-442/	58-33-492/	58-33-542/	58-33-642/
4	4	Hex. Screw	65-01-081/15	65-01-081/15	65-01-081/15	65-01-081/15	65-01-130/15	65-01-130/15
5	1	Yoke	15-40-287/47	15-40-387/47	15-40-437/47	15-40-487/47	15-40-537/47	15-40-637/47
6	1	Guide Rod	15-23-850/12	15-23-850/12	15-23-851/12	15-23-851/12	15-23-852/12	15-23-852/12
7	4	Hex. Screw	65-01-081/13	65-01-081/13	65-01-081/13	65-01-081/13	65-01-083/15	65-01-081/13
8	1	Bushing	08-01-178/93	08-01-178/93	08-01-178/93	08-01-178/93	08-01-178/93	08-01-178/93
9	1	Shaft Seal	58-33-150/26	58-33-150/26	58-33-150/26	58-33-150/26	58-33-150/26	58-33-150/26
10	1	Seat Seal *	58-33-293/	58-33-293/	58-33-293/	58-33-293/	58-33-293/	58-33-293/
11	1	Seat Seal *	58-33-394/	58-33-444/	58-33-194/	58-33-569/	58-33-544/	58-33-644/
12	1	Seat Seal *	58-33-294/	58-33-394/	58-33-444/	58-33-494/	58-33-544/	58-33-644/
13	2	Leakage Valve	20-37-068/	20-37-068/	20-37-068/	20-37-068/	20-37-068/	20-37-068/
14	1	Bracket	08-17-002/12	08-17-002/12	08-17-002/12	08-17-002/12	08-17-002/12	08-17-002/12
15	1	Cyl. Screw	65-05-124/13	65-05-124/13	65-05-126/13	65-05-126/13	65-05-126/13	65-05-126/13
16	1	T-Connector G 1/8	08-63-370/93	08-63-370/93	08-63-370/93	08-63-370/93	08-63-370/93	08-63-370/93
17	1	Angular Union G 1/8	08-63-350/93	08-63-350/93	08-63-350/93	08-63-350/93	08-63-350/93	08-63-350/93
18	1	Actuator Ø74 / Ø110 / Ø165	15-32-050/17	15-32-050/17	15-32-051/17	15-32-050/17	15-32-052/17	15-32-050/17
19	1	CU2-Adapter SW4, SD4, M4	322000801192	322000801192	322000801192	322000801192	322000801192	322000801192
20	2	Centering Nut	15-28-940/12	15-28-940/12	15-28-940/12	15-28-940/12	15-28-940/12	15-28-940/12
21	1	Hex. Nut	65-50-101/15	65-50-101/15	65-50-101/15	65-50-101/15	65-50-101/15	65-50-101/15
22	1	Control Unit CU21N	322000804432	322000804432	322000804432	322000804432	322000804432	322000804432
23	1	Proximity Switch Holder Housing-SW4	15-33-932/93	15-33-932/93	15-33-932/93	15-33-932/93	15-33-932/93	15-33-932/93
24	2	Proximity Holder	15-33-933/93	15-33-933/93	15-33-933/93	15-33-933/93	15-33-933/93	15-33-933/93
25	1	Operating Cam	08-52-290/87	08-52-291/87	08-52-291/87	08-52-291/87	08-52-291/87	08-52-291/87
26	4	Hex. Screw	65-01-081/15	65-01-081/15	65-01-081/15	65-01-081/15	65-01-081/15	65-01-081/15
27	1	O-Ring	58-06-297/83	58-06-297/83	58-06-297/83	58-06-297/83	58-06-297/83	58-06-297/83
	1	Seal Kit EPDM	58-34-750/01	58-34-751/01	58-34-752/01	58-34-754/01	58-34-756/01	58-34-757/01
	1	Seal Kit HNBR	58-34-750/06	58-34-751/06	58-34-752/06	58-34-754/06	58-34-756/06	58-34-757/06

**APV Delta SD4 Actuator SW4**



Pos	Qty	Description	Part Number		
		Actuator Complete Ø74/Ø110/Ø165	15-32-050/17	15-32-051/17	15-32-052/17
1	1	Seal Screw	15-28-840/93	15-28-840/93	15-28-840/93
2	1	V-Seal	28-32-010/83	28-32-010/83	28-32-010/83
3	1	O-Ring	58-06-124/83	58-06-124/83	58-06-124/83

**APV Delta SD4 Leakage Valve SD4**

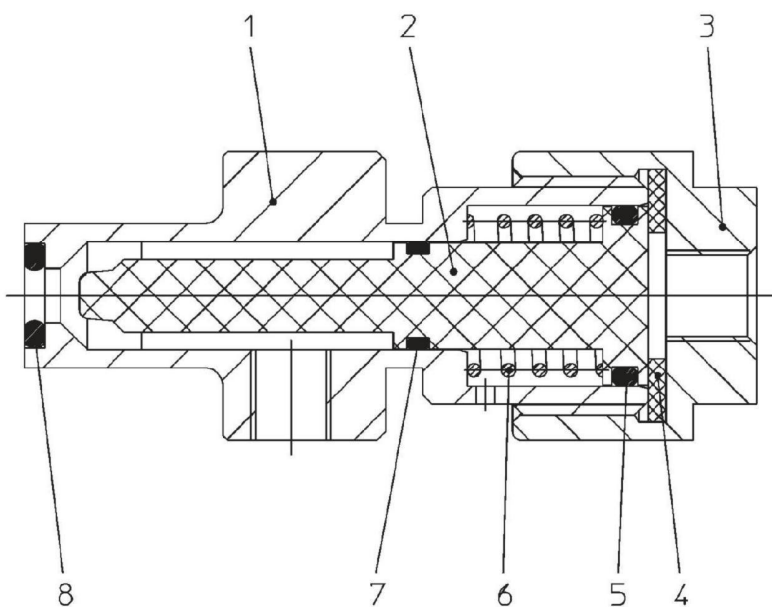
The following seal materials are available (fill in last two digits of ref.-no.)

\*material seals:

- ../33-HNBR
- ../64-EPDM

\*\* material metallic+seal:

- ../29-HNBR-1.4404
- ../59-EPDM-1.4404



Pos	Qty	Description	Part No.
		Leakage Valve **	20-37-068/
1	1	Housing Leakage Valve	21-08-002/47
2	1	Piston	15-29-102/93
3	1	Cover for Leakage Valve	21-20-002/17
4	1	Seal	58-01-085/63
5	1	O-Ring 15.0-2.5	58-06-057/63
6	1	Spring Leakage Valve	60-07-002/13
7	1	O-Ring 8.5-1.8 *	58-06-025/
8	1	O-Ring 6.0-3.0 *	58-06-016/