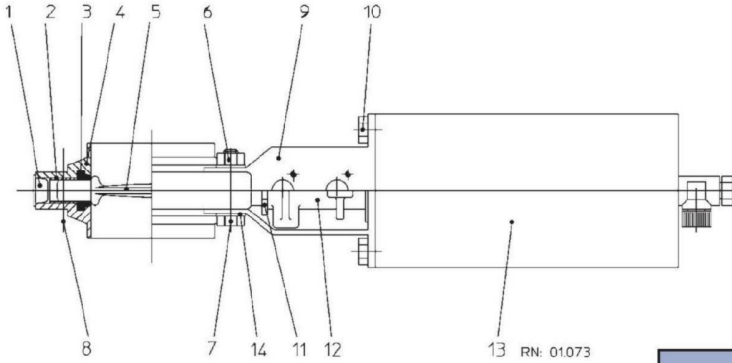


**APV Delta SV1 Butterfly Valve**



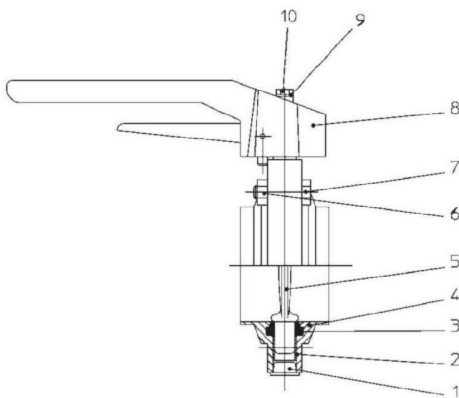
The following seal materials are available (fill in last two digits of ref.-no.)

- \*material seals:
- ./13-Silicone
- ./73-Viton
- ./93-EPDM

- \*\*material metallic
- ./13-14301 polished
- ./43-14404 polished
- ./17-14301 satin finish
- ./47-14404 satin finish



| DELTA SV1 BUTTERFLY VALVE 1-4 TUBE 1+2S |     |                     |                |                |                |                |                           |
|-----------------------------------------|-----|---------------------|----------------|----------------|----------------|----------------|---------------------------|
|                                         |     | 1T                  | 1.5T           | 2T             | 2.5T           | 3T             | 4T                        |
| Pos                                     | Qty | Description         |                |                |                |                |                           |
| 1                                       | 1   | Plug                | 08-74-010/93   | 08-74-010/93   | 08-74-010/93   | 08-74-010/93   |                           |
| 2                                       | 2   | Bearing             | 08-01-150/93   | 08-01-150/93   | 08-01-150/93   | 08-01-150/93   | 08-01-151/93              |
| 3                                       | 1   | Seal SV *           | 58-33-325/     | 58-33-425/     | 58-33-475/     | 58-33-525/     | 58-33-503/ 58-33-675/     |
| 4                                       | 2   | Housing Half **     | 09-94-319/     | 09-94-419/     | 09-94-469/     | 09-94-519/     | 09-94-552/ 09-94-669/     |
| 5                                       | 1   | Disc                | 08-55-318/43   | 08-55-418/43   | 08-55-468/43   | 08-55-518/43   | 08-55-527/63 08-55-668/63 |
| 6                                       |     | Hex. Nut            | 65-50-060/15x4 | 65-50-060/15x4 | 65-50-060/15x4 | 65-50-060/15x4 | 65-50-060/15x6            |
| 7                                       | 2   | Hex. Screw          | 65-01-095/15   | 65-01-095/15   | 65-01-095/15   | 65-01-095/15   | 65-01-095/15              |
| 8                                       |     | Hex. Screw          | 65-01-085/15x2 | 65-01-085/15x2 | 65-01-085/15x2 | 65-01-085/15x2 | 65-01-085/15x4            |
| 9                                       | 1   | Yoke                | 15-40-030/17   | 15-40-816/17   | 15-40-816/17   | 15-40-025/17   | 15-40-025/17 15-40-025/17 |
| 10                                      | 2   | Hex. Screw          | 65-01-080/15   | 65-01-080/15   | 65-01-080/15   | 65-01-080/15   | 65-01-080/15 65-01-129/15 |
| 11                                      | 1   | Position Indicator  | 08-29-021/93   | 08-29-021/93   | 08-29-021/93   | 08-29-021/93   | 08-29-021/93 08-29-021/93 |
| 12                                      | 1   | Coupling            | 08-52-050/17   | 08-52-050/17   | 08-52-050/17   | 08-52-050/17   | 08-52-050/17 08-52-050/17 |
| 13                                      | 1   | Actuator Spring/Air | 15-30-055/17   | 15-30-055/17   | 15-30-055/17   | 15-30-055/17   | 15-30-055/17 15-30-055/17 |
| 14                                      | 1   | Actuator Double/Air | 15-30-065/17   | 15-30-065/17   | 15-30-065/17   | 15-30-065/17   | 15-30-065/17 15-30-065/17 |
| 15                                      | 4   | Washer              | 67-01-022/15   | 67-01-022/15   | 67-01-022/15   | 67-01-022/15   | 67-01-022/15 67-01-022/15 |



The following seal materials are available (fill in last two digits of ref.-no.)

- \*material seals:
- ./13-Silicone
- ./73-Viton
- ./93-EPDM

- \*\*material metallic
- ./13-14301 polished
- ./43-14404 polished
- ./23-14401 polished
- ./17-14301 satin finish
- ./47-14404 satin finish



| DELTA SV1 BUTTERFLY VALVE - MANUAL 1-4 TUBE 1+2S |     |                 |                |              |              |              |                           |
|--------------------------------------------------|-----|-----------------|----------------|--------------|--------------|--------------|---------------------------|
|                                                  |     | 1T              | 1.5T           | 2T           | 2.5T         | 3T           | 4T                        |
| Pos                                              | Qty | Description     |                |              |              |              |                           |
| 1                                                | 1   | Plug            | 08-74-010/93   | 08-74-010/93 | 08-74-010/93 | 08-74-010/93 |                           |
| 2                                                | 2   | Bearing         | 08-01-150/93   | 08-01-150/93 | 08-01-150/93 | 08-01-150/93 | 08-01-151/93              |
| 3                                                | 1   | Seal SV *       | 58-33-325/     | 58-33-425/   | 58-33-475/   | 58-33-525/   | 58-33-503/ 58-33-675/     |
| 4                                                | 2   | Housing Half ** | 09-94-319/     | 09-94-419/   | 09-94-469/   | 09-94-519/   | 09-94-552/ 09-94-669/     |
| 5                                                | 1   | Disc            | 08-55-318/43   | 08-55-418/43 | 08-55-468/43 | 08-55-518/43 | 08-55-527/63 08-55-668/63 |
| 6                                                |     | Hex. Nut        | 65-50-060/15x4 | x4           | x4           | x4           | x6 x6                     |
| 7                                                |     | Hex. Screw      | 65-01-085/15x4 | x4           | x4           | x4           | x6 x6                     |
| 8                                                | 1   | Handle          | 08-41-064/93   | 08-41-065/93 | 08-41-065/93 | 08-41-065/93 | 08-41-065/93 08-41-065/93 |
| 9                                                | 1   | Hex. Screw      | 65-01-037/15   | 65-01-037/15 | 65-01-037/15 | 65-01-037/15 | 65-01-037/15 65-01-037/15 |
| 10                                               | 1   | Safety Washer   | 67-01-010/93   | 67-01-010/93 | 67-01-010/93 | 67-01-010/93 | 67-01-010/93 67-01-010/93 |



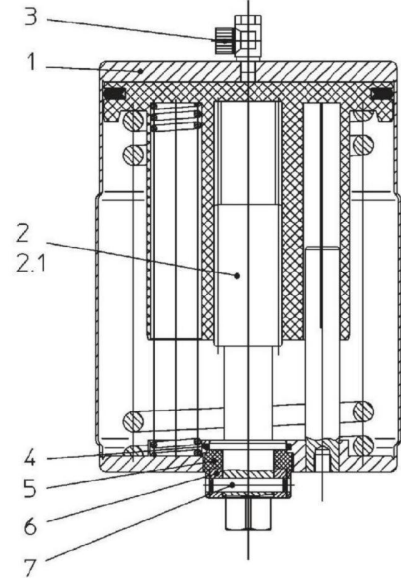
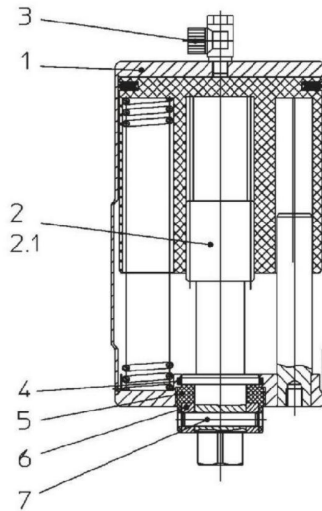
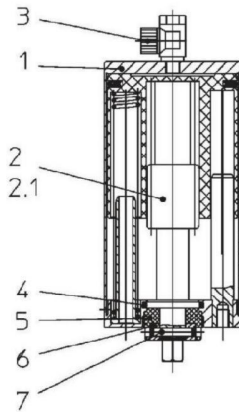
**Delta SV1 Butterfly Valve Actuator**

The following materials are available (fill in last two digits of ref.-no.)

material metallic

../13-14301 polished

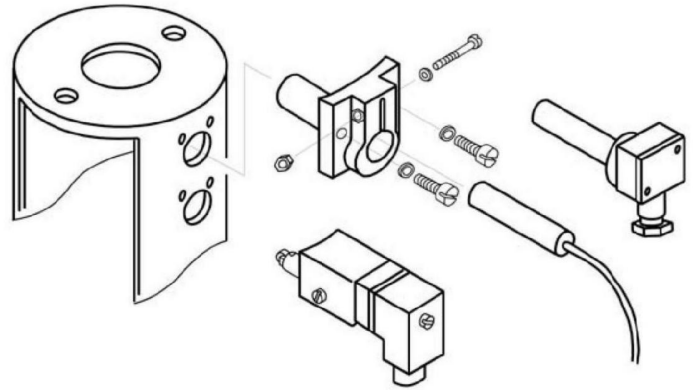
../17-14301 satin finish



|     |     |                             | АКТУАТОР K-80, K-125, K-180 SPRING/AIR |              |              |
|-----|-----|-----------------------------|----------------------------------------|--------------|--------------|
|     |     |                             | K-80                                   | K-125        | K180         |
| Pos | Qty | Description                 | Part Number                            |              |              |
|     | 1   | Actuator-Complete *         | 15-31-055/                             | 15-31-057/   | 15-31-923/   |
| 1   | 1   | Actuator-Welded *           | 15-31-054/                             | 15-31-056/   | 15-31-922/   |
| 2   | 1   | Shaft Complete with Bearing | 15-24-021/13                           | 15-24-031/13 | 15-24-033/13 |
| 2.1 | 1   | Shaft                       | 15-24-020/13                           | 15-24-030/13 | 15-24-032/13 |
| 3   | 1   | Union                       | 08-62-002/93                           | 08-62-002/93 | 08-62-002/93 |
| 4   | 1   | O-Ring                      | 58-06-130/83                           | 58-06-222/73 | 58-06-222/73 |
| 5   | 1   | Bearing for Actuator        | 15-28-002/34                           | 15-28-009/63 | 15-28-009/63 |
| 6   | 1   | Adjust Ring                 | 67-08-007/13                           | 67-08-008/13 | 67-08-009/13 |
| 7   | 1   | Cyl. Pin                    | 67-15-035/13                           | 67-15-036/13 | 67-15-036/13 |

**APV Delta SV1 Butterfly Valve Position Indicator**

| Description                                                          | Part No.     |
|----------------------------------------------------------------------|--------------|
| Proximity Switch Complete IHP with LED and 5m Cable                  | 15-33-023/33 |
| Proximity Switch Complete IHPK with Cable Connection Housing and LED | 15-33-140/33 |
| Micro Switch Complete                                                | 15-33-026/93 |
| <b>Single</b>                                                        |              |
| IHP and LED with 5m Cable (Without Support)                          | 08-60-011/93 |
| IHPK with Cable Connection Housing and LED (Without Support)         | 08-60-145/93 |
| Support for Proximity Switches IHP and IHPK                          | 15-33-914/83 |
| <b>Technical Data: Proximity Switch with Three- Core Cable</b>       |              |
| Operating Voltage 10 - 30 V DC                                       |              |
| PNP Positive Switching, Closing Function                             |              |
| Nominal Operating Distance 5mm                                       |              |
| Installation Nonflush                                                |              |

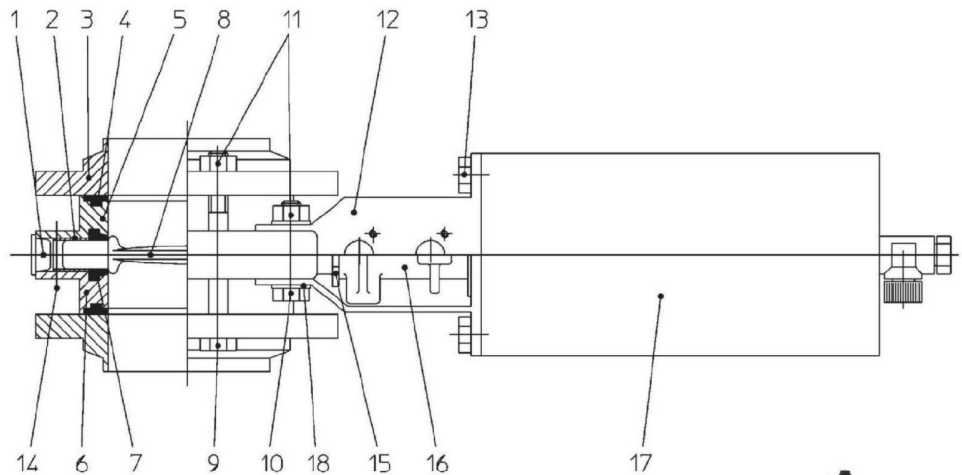


**APV Delta SVS1F Butterfly Valve**

The following seal materials are available (fill in last two digits of ref.-no.)

- \*material seals:  
 ../13-Silicone  
 ../73-Viton  
 ../93-EPDM

- \*material metallic  
 ../13-1.4301 polished  
 ../43-1.4404 polished  
 ../17-1.4301 satin finish  
 ../47-1.4404 satin finish



DELTA SVSF1-A BUTTERFLY VALVE 1-4 TUBE 1+2S

| Pos | Qty | Description         | Part Number     |               |               |               |               |               |
|-----|-----|---------------------|-----------------|---------------|---------------|---------------|---------------|---------------|
|     |     |                     | 1T              | 1.5T          | 2T            | 2.5T          | 3T            | 4T            |
| 1   | 1   | Plug                | 08-74-010/93    | 08-74-010/93  | 08-74-010/93  | 08-74-010/93  |               |               |
| 2   | 2   | Bearing             | 08-01-150/93    | 08-01-150/93  | 08-01-150/93  | 08-01-150/93  | 08-01-150/93  | 08-01-151/93  |
| 3   | 2   | Flange FG1 **       | 09-51-308/      | 09-51-408/    | 09-51-458/    | 09-51-508/    | 09-51-552/    | 09-51-658/    |
| 4   | 2   | Seal FGN1 *         | 58-32-305/      | 58-32-405/    | 58-32-455/    | 58-32-505/    | 58-32-555/    | 58-32-655/    |
| 5   |     | Housing Half I **   | 09-94-316/-2x   | 09-94-416/-1x | 09-94-466/-1x | 09-94-516/-1x | 09-94-566/-1x | 09-94-666/-2x |
| 6   |     | Housing Half II **  |                 | 09-94-417/-1x | 09-94-467/-1x | 09-94-517/-1x | 09-94-567/-1x |               |
| 7   | 1   | Seal SV *           | 58-33-325/      | 58-33-425/    | 58-33-475/    | 58-33-525/    | 58-33-503/    | 58-33-675/    |
| 8   | 1   | Disc                | 08-55-318/43    | 08-55-418/43  | 08-55-468/43  | 08-55-518/63  | 08-55-527/63  | 08-55-668/63  |
| 9   |     | Hex. Screw          | 65-01-093/13-2x | 4x            | 4x            | 4x            | 4x            | 6x            |
| 10  | 2   | Hex. Screw          | 65-01-095/15    | 65-01-095/15  | 65-01-095/15  | 65-01-095/15  | 65-01-095/15  | 65-01-095/15  |
| 11  |     | Hex. Screw          | 65-50-060/15-6x | 8x            | 8x            | 8x            | 8x            | 10x           |
| 12  | 1   | Yoke                | 15-40-030/17    | 15-40-816/17  | 15-40-816/17  | 15-40-025/17  | 15-40-025/17  | 15-40-025/17  |
| 13  | 2   | Hex. Screw          | 65-01-080/15    | 65-01-080/15  | 65-01-080/15  | 65-01-080/15  | 65-01-080/15  | 65-01-080/15  |
| 14  | 2   | Hex. Screw          | 65-01-085/15    | 65-01-085/15  | 65-01-085/15  | 65-01-085/15  | 65-01-085/15  | 65-01-085/15  |
| 15  | 1   | Position Indicator  | 08-29-021/93    | 08-29-021/93  | 08-29-021/93  | 08-29-021/93  | 08-29-021/93  | 08-29-021/93  |
| 16  | 1   | Coupling            | 08-52-050/17    | 08-52-050/17  | 08-52-050/17  | 08-52-050/17  | 08-52-050/17  | 08-52-050/17  |
| 17  | 1   | Actuator Spring/Air | 15-31-055/17    | 15-31-055/17  | 15-31-055/17  | 15-31-055/17  | 15-31-055/17  | 15-31-055/17  |
| 18  | 1   | Actuator Double/Air | 15-31-065/17    | 15-31-065/17  | 15-31-065/17  | 15-31-065/17  | 15-31-065/17  | 15-31-065/17  |





Delta SVS1F Butterfly Valve Manual

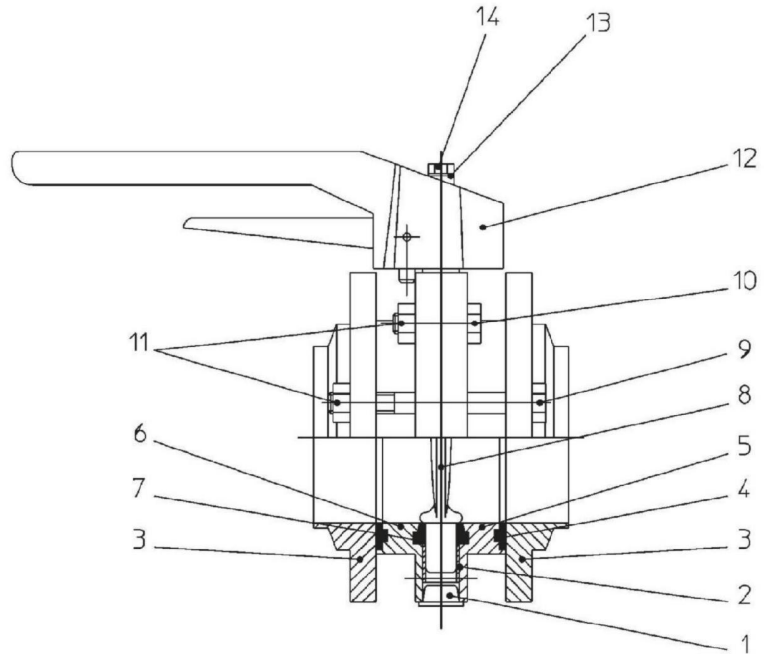
The following seal materials are available (fill in last two digits of ref.-no.)

\*material seals:

- ../13-Silicone
- ../73-Viton
- ../93-EPDM

\*\*material metallic

- ../13-1.4301 polished
- ../43-1.4404 polished
- ../17-1.4301 satin finish
- ../47-1.4404 satin finish



DELTA SVSF1-A BUTTERFLY VALVE MANUAL 1-4 TUBE 1+2S

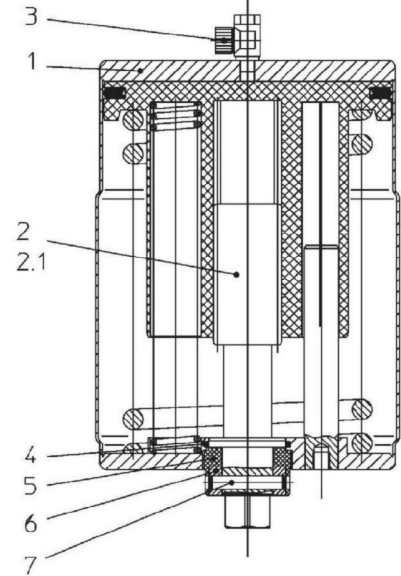
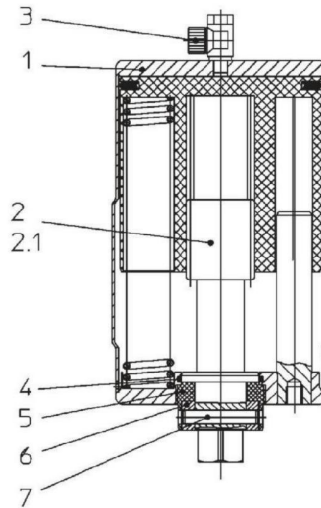
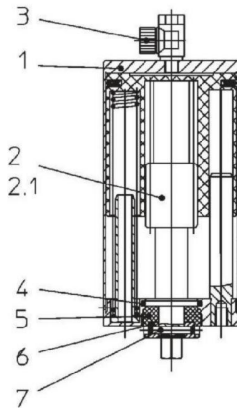
| Pos | Qty | Description        | Part Number     |               |               |               |               |               |
|-----|-----|--------------------|-----------------|---------------|---------------|---------------|---------------|---------------|
|     |     |                    | 1T              | 1.5T          | 2T            | 2.5T          | 3T            | 4T            |
| 1   | 1   | Plug               | 08-74-010/93    | 08-74-010/93  | 08-74-010/93  | 08-74-010/93  |               |               |
| 2   | 2   | Bearing            | 08-01-150/93    | 08-01-150/93  | 08-01-150/93  | 08-01-150/93  | 08-01-150/93  | 08-01-151/93  |
| 3   | 2   | Flange FG1 **      | 09-51-308/      | 09-51-408/    | 09-51-458/    | 09-51-508/    | 09-51-552/    | 09-51-658/    |
| 4   | 2   | Seal FGN1 *        | 58-32-305/      | 58-32-405/    | 58-32-455/    | 58-32-505/    | 58-32-555/    | 58-32-655/    |
| 5   |     | Housing Half I **  | 09-94-316/-2x   | 09-94-416/-1x | 09-94-466/-1x | 09-94-516/-1x | 09-94-566/-1x | 09-94-666/-2x |
| 6   |     | Housing Half II ** |                 | 09-94-417/-1x | 09-94-467/-1x | 09-94-517/-1x | 09-94-567/-1x |               |
| 7   | 1   | Seal SV *          | 58-33-325/      | 58-33-425/    | 58-33-475/    | 58-33-525/    | 58-33-503/    | 58-33-675/    |
| 8   | 1   | Disc               | 08-55-318/43    | 08-55-418/43  | 08-55-468/43  | 08-55-518/63  | 08-55-527/63  | 08-55-668/63  |
| 9   |     | Hex. Screw         | 65-01-093/13-2x | 4x            | 4x            | 4x            | 4x            | 6x            |
| 10  | 4   | Hex. Screw         | 65-01-085/15    | 65-01-085/15  | 65-01-085/15  | 65-01-085/15  | 65-01-085/15  | 65-01-085/15  |
| 11  |     | Hex. Nut           | 65-50-060/15-6x | 8x            | 8x            | 8x            | 8x            | 10x           |
| 12  | 1   | Handle             | 08-41-064/93    | 08-41-065/93  | 08-41-065/93  | 08-41-065/93  | 08-41-065/93  | 08-41-065/93  |
| 13  | 2   | Safety Washer      | 67-01-010/93    | 67-01-010/93  | 67-01-010/93  | 67-01-010/93  | 67-01-010/93  | 67-01-010/93  |
| 14  | 2   | Hex. Screw         | 65-01-037/15    | 65-01-037/15  | 65-01-037/15  | 65-01-037/15  | 65-01-037/15  | 65-01-037/15  |



**Delta SVS1F Actuator K-80, K-125, K-180 Spring/Air**

The following materials are available (fill in last two digits of ref.-no.)

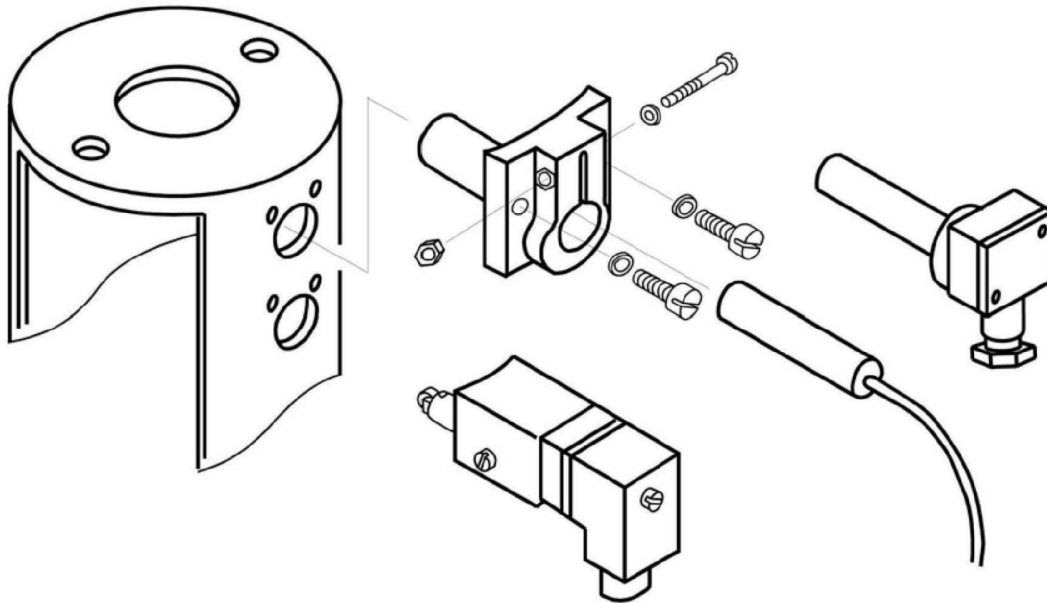
- \*material metallic
- ../13-14301 polished
- ../17-14301 satin finish



**АКТУАТОР K-80, K-125, K-180 SPRING/AIR**

| Pos | Qty | Description                 | Part Number  |              |              |
|-----|-----|-----------------------------|--------------|--------------|--------------|
|     |     |                             | K-80         | K-125        | K180         |
|     | 1   | Actuator-Complete *         | 15-31-055/   | 15-31-057/   | 15-31-923/   |
| 1   | 1   | Actuator-Welded *           | 15-31-054/   | 15-31-056/   | 15-31-922/   |
| 2   | 1   | Shaft Complete with Bearing | 15-24-021/13 | 15-24-031/13 | 15-24-033/13 |
| 2.1 | 1   | Shaft                       | 15-24-020/13 | 15-24-030/13 | 15-24-032/13 |
| 3   | 1   | Union                       | 08-62-002/93 | 08-62-002/93 | 08-62-002/93 |
| 4   | 1   | O-Ring                      | 58-06-130/83 | 58-06-222/73 | 58-06-222/73 |
| 5   | 1   | Bearing for Actuator        | 15-28-002/34 | 15-28-009/63 | 58-06-222/73 |
| 6   | 1   | Adjust Ring                 | 67-08-007/13 | 67-08-008/13 | 58-06-222/73 |
| 7   | 1   | Cyl. Pin                    | 67-15-035/13 | 67-15-036/13 | 58-06-222/73 |

 **Delta SVS1F Butterfly Valve Position Indicator**



| Description                                                          | Part No.     |
|----------------------------------------------------------------------|--------------|
| Proximity Switch Complete IHP with LED and 5m Cable                  | 15-33-023/33 |
| Proximity Switch Complete IHPK with Cable Connection Housing and LED | 15-33-140/33 |
| Micro Switch Complete                                                | 15-33-026/93 |
| <b>Single</b>                                                        |              |
| IHP and LED with 5m Cable (Without Support)                          | 08-60-011/93 |
| IHPK with Cable Connection Housing and LED (Without Support)         | 08-60-145/93 |
| Support for Proximity Switches IHP and IHPK                          | 15-33-914/83 |
| <b>Technical Data: Proximity Switch with Three- Core Cable</b>       |              |
| Operating Voltage 10 - 30 V DC                                       |              |
| PNP Positive Switching, Closing Function                             |              |
| Nominal Operating Distance 5mm                                       |              |
| Installation Nonflush                                                |              |