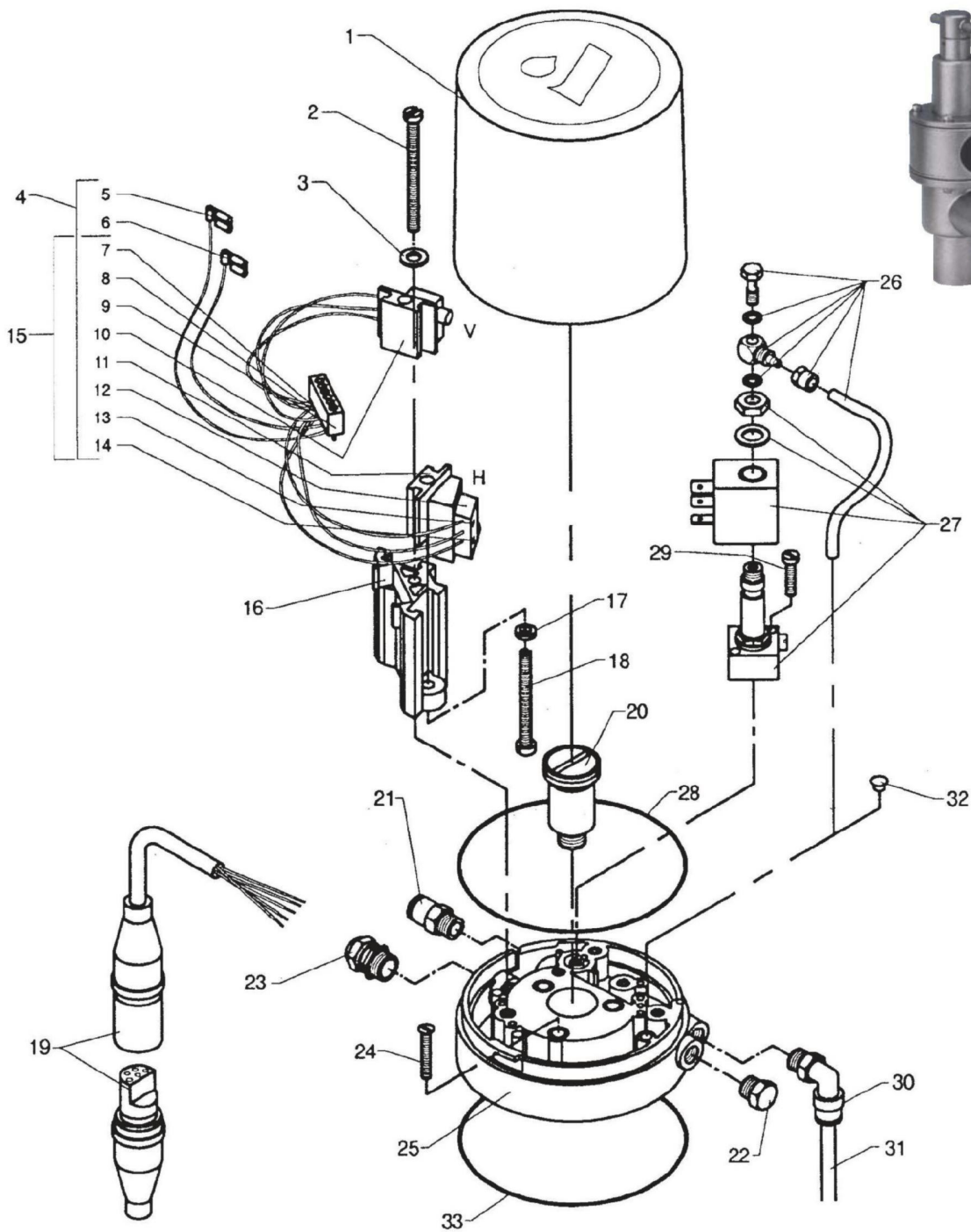


 **APV VPS-ISO Valves**
Control Unit Type 4 with Proximity Switch NPN



 **APV VPS-ISO Valves**

Control Unit Type 4 with Proximity Switch NPN

* This type is with 1 off proximity switch that indicates that the valve is open.
Switch V is to be mounted on the bracket.

| Item | Qty | Description | NO-1 | NO-MI | NO-1* | NO-MI* |
|-------|-----|-------------------|--------|--------|--------|--------|
| | | | NC-1 | NC-MI | NC-1* | NC-MI* |
| - | - | Control Unit | 172362 | | 172364 | |
| - | - | Control Unit AC | | 172363 | | 172365 |
| - | - | Control Unit DC | | 187300 | | 187301 |
| 1 | 1 | Cap | 770272 | 770272 | 770272 | 770272 |
| 2 | 1 | Screw | 770343 | 770343 | 770343 | 770343 |
| 3 | 1 | Washer | 701477 | 701477 | 701477 | 701477 |
| 4 | 1 | Feedback Unit | | 171974 | | 172361 |
| 5 | 1 | Cable Terminal | | 169924 | | 169924 |
| 6 | 1 | Cable Terminal | | 169925 | | 169925 |
| 7 | 1-2 | Shrink Hose | 770468 | 770468 | 770468 | 770468 |
| 8 | 2-5 | Shrink Hose | 770346 | 770346 | 770346 | 770346 |
| 9 | 1 | Terminal Strip | 770296 | 770296 | 770296 | 770296 |
| 10 | 1 | Bracket V | 254484 | 254484 | 254484 | 254484 |
| 11 | 1 | Bracket H | 179788 | 179788 | | |
| 12 | 2 | Proximity Switch | 770492 | 770492 | 770492 | 770492 |
| 13 | 3 | Screw | 706159 | 706159 | 706159 | 706159 |
| 14 | 1 | Screw | 770030 | 770030 | 770030 | 770030 |
| 15 | 1 | Feedback Unit | 171973 | | 172360 | |
| 16 | 1 | Bracket | 770270 | 770270 | 770270 | 770270 |
| 17 | 2 | Washer | 254495 | 254495 | 254495 | 254495 |
| 18 | 2 | Screw | 241882 | 241882 | 241882 | 241882 |
| 19 | 1 | Multiple Plug | 169052 | 169052 | 169052 | 169052 |
| 20 | 1 | Actuator Screw | 169927 | 169927 | 169927 | 169927 |
| 21 | 1 | Connector | | 770324 | | 770324 |
| 22 | 1-3 | Plug | 750218 | 750218 | 750218 | 750218 |
| 23 | 1 | Cable Inlet | 770298 | 770298 | 770298 | 770298 |
| 24 | 3 | Screw | 770503 | 770503 | 770503 | 770503 |
| 25 | 1 | Base Plate | 169939 | 169939 | 169939 | 169939 |
| 26 | 1 | Venthose | | 169932 | | 169932 |
| 27(1) | 1 | Solenoid Valve AC | | 770295 | | 770295 |
| 27(2) | 1 | Solenoid Valve AC | | 770501 | | 770501 |
| 28 | 1 | O-Ring | 771640 | 771640 | 771640 | 771640 |
| 29 | 2 | Screw | | 770397 | | 770397 |
| 30 | 1 | Elbow Connector | | 770325 | | 770325 |
| 31 | 1 | Hose | | 254511 | | 254511 |
| 32 | 1 | Plug | 770039 | | 770039 | |
| 33 | 1 | O-Ring | 772123 | 772123 | 772123 | 772123 |

(1) Standard 24V 50/60 Hz
Option 48V 50 Hz

(2) Standard 24V DC
Option 48V DC

Technical Data for Proximity Switch

| | |
|--------------------------------|----------------------|
| Type | NPN, Normally Closed |
| Supply Voltage | 9,6 - 55V DC |
| Current Consumption | ≤ 10mA |
| Max. Load Current | 200mA |
| Operating Temperature Range | -25°C to +85°C |
| Protection Class | IP67 |
| Nominal Sensing Distance | 2,5 mm |
| Output Transistor Voltage Drop | ≤ 2V |

 **APV VPS-ISO Valves**

Control Unit Type 4 with Proximity Switch PNP

* This type is with 1 off proximity switch that indicates that the valve is open.
Switch V is to be mounted on the bracket.

| Item | Qty | Description | NO-1 | NO-MI | NO-1* | NO-MI* |
|-------|-----|-------------------|--------|--------|--------|--------|
| | | | NC-1 | NC-MI | NC-1* | NC-MI* |
| - | - | Control Unit | 179372 | | 179374 | |
| - | - | Control Unit AC | | 179373 | | 179375 |
| - | - | Control Unit DC | | 187302 | | 187303 |
| 1 | 1 | Cap | 770272 | 770272 | 770272 | 770272 |
| 2 | 1 | Screw | 770343 | 770343 | 770343 | 770343 |
| 3 | 1 | Washer | 701477 | 701477 | 701477 | 701477 |
| 4 | 1 | Feedback Unit | | 179772 | | 179368 |
| 5 | 1 | Cable Terminal | | 169924 | | 169924 |
| 6 | 1 | Cable Terminal | | 169925 | | 169925 |
| 7 | 1-2 | Shrink Hose | 770468 | 770468 | 770468 | 770468 |
| 8 | 2-5 | Shrink Hose | 770346 | 770346 | 770346 | 770346 |
| 9 | 1 | Terminal Strip | 770296 | 770296 | 770296 | 770296 |
| 10 | 1 | Bracket V | 254484 | 254484 | 254484 | 254484 |
| 11 | 1 | Bracket H | 179788 | 179788 | | |
| 12 | 2 | Proximity Switch | 771201 | 771201 | 771201 | 771201 |
| 13 | 3 | Screw | 706159 | 706159 | 706159 | 706159 |
| 14 | 1 | Screw | 770030 | 770030 | 770030 | 770030 |
| 15 | 1 | Feedback Unit | 187522 | | 179367 | |
| 16 | 1 | Bracket | 770270 | 770270 | 770270 | 770270 |
| 17 | 2 | Washer | 254495 | 254495 | 254495 | 254495 |
| 18 | 2 | Screw | 241882 | 241882 | 241882 | 241882 |
| 19 | 1 | Multiple Plug | 169052 | 169052 | 169052 | 169052 |
| 20 | 1 | Actuator Screw | 169927 | 169927 | 169927 | 169927 |
| 21 | 1 | Connector | | 770324 | | 770324 |
| 22 | 1-3 | Plug | 750218 | 750218 | 750218 | 750218 |
| 23 | 1 | Cable Inlet | 770298 | 770298 | 770298 | 770298 |
| 24 | 3 | Screw | 770503 | 770503 | 770503 | 770503 |
| 25 | 1 | Base Plate | 169939 | 169939 | 169939 | 169939 |
| 26 | 1 | Vent hose | | 169932 | | 169932 |
| 27(1) | 1 | Solenoid Valve AC | | 770295 | | 770295 |
| 27(2) | 1 | Solenoid Valve AC | | 770501 | | 770501 |
| 28 | 1 | O-Ring | 771640 | 771640 | 771640 | 771640 |
| 29 | 2 | Screw | | 770397 | | 770397 |
| 30 | 1 | Elbow Connector | | 770325 | | 770325 |
| 31 | 1 | Hose | | 254511 | | 254511 |
| 32 | 1 | Plug | 770039 | | 770039 | |
| 33 | 1 | O-Ring | 772123 | 772123 | 772123 | 772123 |

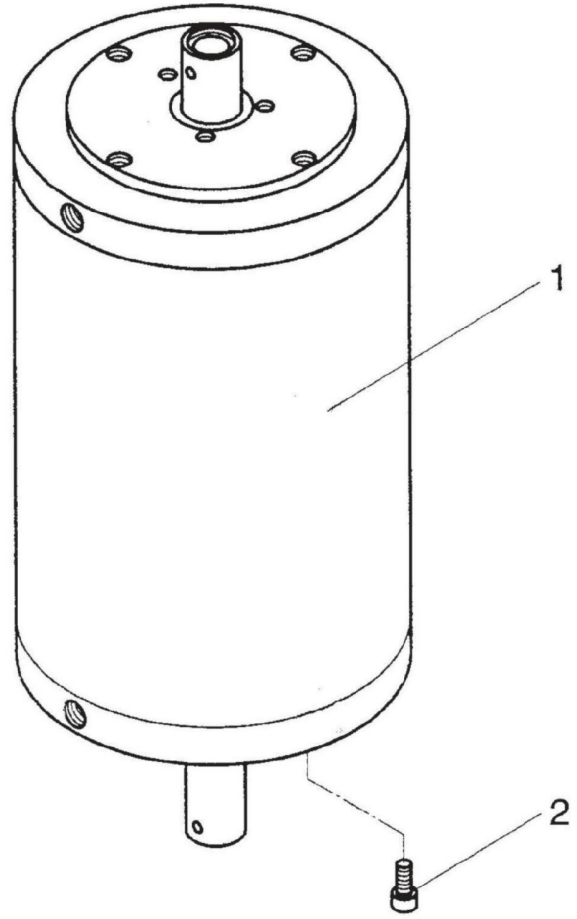
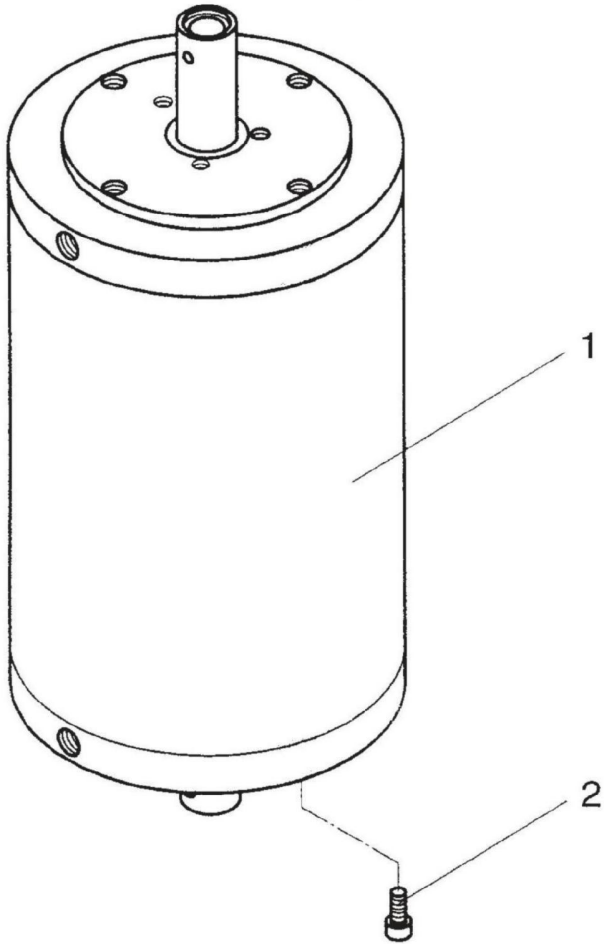
[1] Standard 24V 50/60 Hz
Option 48V 50 Hz

[2] Standard 24V DC
Option 48V DC

Technical Data for Proximity Switch

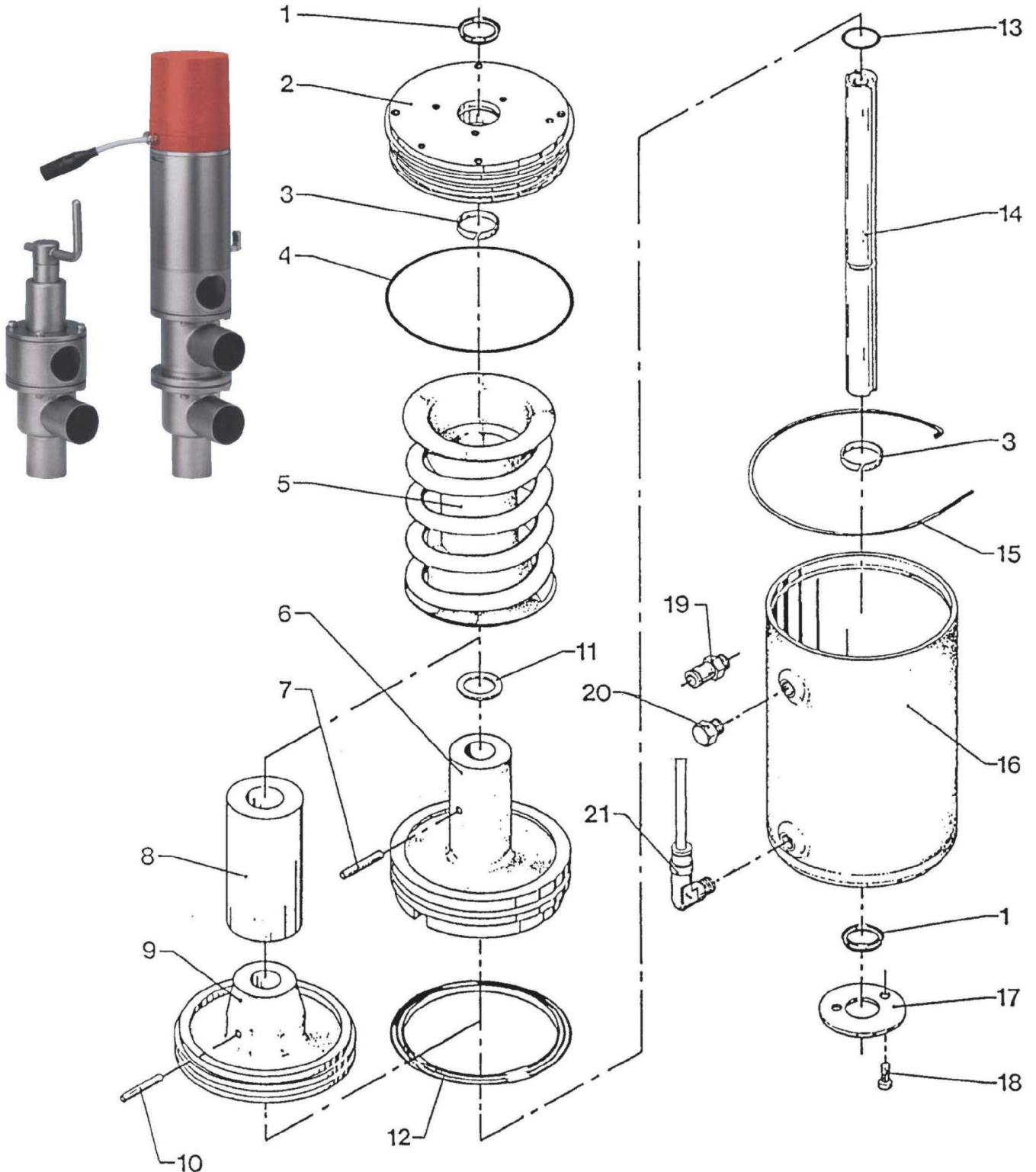
| | |
|--------------------------------|----------------------|
| Type | PNP, Normally Closed |
| Supply Voltage | 9,6 - 55V DC |
| Current Consumption | ≤ 10mA |
| Max. Load Current | 200mA |
| Operating Temperature Range | -25°C to +85°C |
| Protection Class | IP67 |
| Nominal Sensing Distance | 2,5 mm |
| Output Transistor Voltage Drop | ≤ 2V |

APV VPS-ISO Valves
Actuator NO/NC Complete Type VPS-Clamp



| Pos | Qty | Description | Ø96 | Ø127 |
|-----|-----|-------------|-------------|-------------|
| | | | Part Number | Part Number |
| - | - | NO Complete | 171977 | 171978 |
| - | - | NC Complete | 171975 | 171976 |
| 1 | 1 | Actuator | 168907 | 168700 |
| 2 | 4 | Screw | 770496 | 770550 |

 **APV VPS-ISO Valves**
Actuator

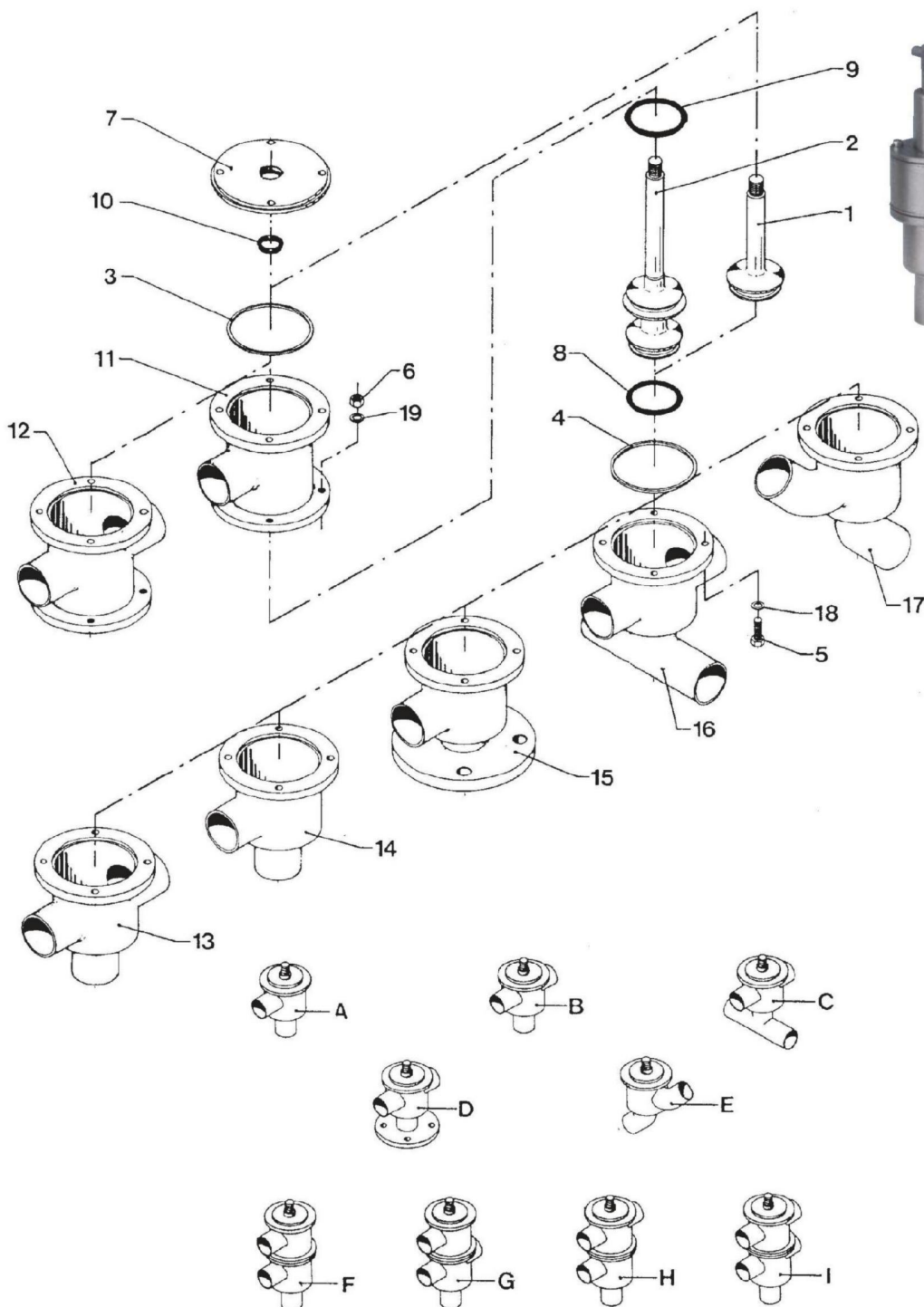


 **APV VPS-ISO Valves**
Actuator (contd)

| Pos | Qty | Description | Ø96 | Ø127 |
|-----|-----|-----------------|-------------|--------|
| | | | Part Number | |
| - | - | Actuator | 168907 | 168700 |
| 1 | 2 | Seal Ring | 705918 | 705918 |
| 2 | 1 | Cover | 254239 | 253810 |
| 3 | 2 | Bush | 771608 | 771608 |
| 4 | 1 | O-Ring | 702784 | 770151 |
| 5 | 1 | Spring | 169747 | 168919 |
| 6 | 1 | Piston | 253802 | |
| 7 | 1 | Pin | 771494 | |
| 8 | 1 | Bush | | 255730 |
| 9 | 1 | Piston | | 253803 |
| 10 | 1 | Pin | | 771965 |
| 11 | 1 | Washer | 255393 | |
| 12 | 1 | Seal Ring | 705241 | 705242 |
| 13 | 1 | O-Ring | 724091 | 724091 |
| 14 | 1 | Stem | 254240 | 240931 |
| 15 | 1 | Lock Ring | 254237 | 254266 |
| 16 | 1 | Cylinder | 168922 | 168921 |
| 17 | 1 | Washer | 241480 | 241480 |
| 18 | 2 | Screw | 705584 | 705584 |
| 19* | 1 | Connector | 770324 | 770324 |
| 20* | 1 | Plug | 163076 | 163076 |
| 21* | 1 | Elbow Connector | 770325 | 770325 |

* Accessories

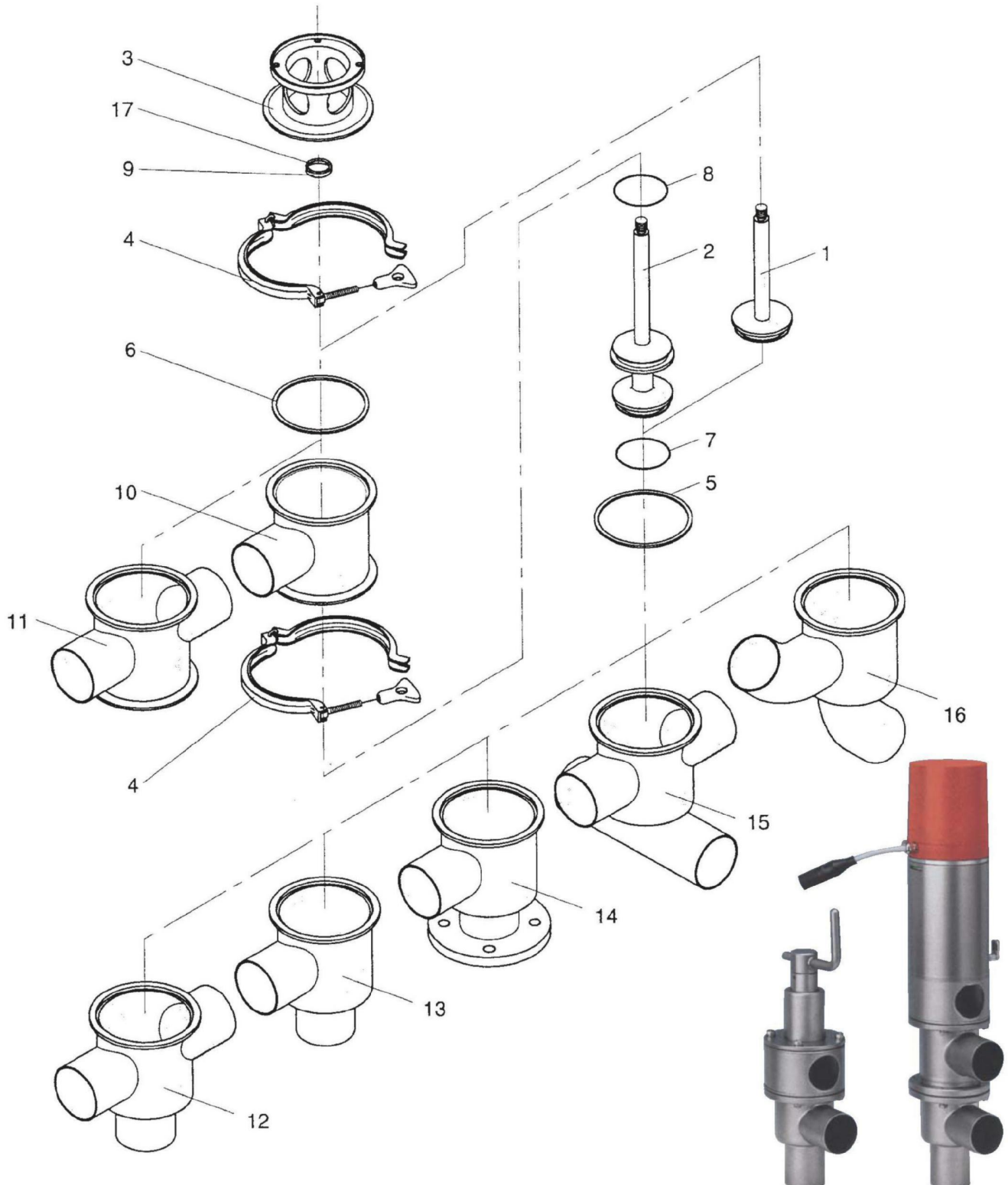
 **APV VPS-ISO Valves**
Valve Bodies Type VPS-ISO



 **APV VPS-ISO Valves**
Valve Bodies Type VPS-ISO (contd)

| Item | Qty | Description | Ø38 | Ø51 | Ø63.5 | Ø76 | Ø101.6 |
|------|-----|---------------------------|----------|--------|--------|--------|--------|
| | | | Part No. | | | | |
| A | 1 | L - Valve Complete | 147275 | 147276 | 177277 | 147278 | 147279 |
| B | 1 | T - Valve Complete | 147420 | 147421 | 147422 | 147423 | 147424 |
| C | 1 | KIT - Valve Complete | 152909 | 152910 | 152911 | 152912 | 152913 |
| D | 1 | L-fl Valve Complete | | 152797 | | 152798 | 152799 |
| E | 1 | J - Valve Complete | 152756 | 152757 | 152758 | 152759 | 152760 |
| F | 1 | LL - Valve Complete | 147253 | 147254 | 147255 | 147256 | 147257 |
| G | 1 | LT - Valve Complete | 147430 | 147431 | 147432 | 147433 | 147434 |
| H | 1 | TL - Valve Complete | 147425 | 147426 | 147427 | 147428 | 147429 |
| I | 1 | TT - Valve Complete | 151625 | 151626 | 151627 | 151628 | 151629 |
| 1 | 1 | Spindle Single | 147271 | 147271 | 147272 | 147273 | 147274 |
| 2 | 1 | Spindle Double | 149073 | 149073 | 149074 | 149075 | 149076 |
| 3 | 1 | Gasket | 240896 | 240896 | 240897 | 250020 | 250020 |
| 4 | 1 | Gasket | 240896 | 240896 | 240897 | 240898 | 240898 |
| 5 | 4 | Screw | 705856 | 705856 | 700678 | 234177 | 234177 |
| 6 | 4 | Nut | | | | 700241 | 700241 |
| 7 | 1 | Washer | 254209 | 254209 | 254210 | 254211 | 254211 |
| 8 | 1 | O-Ring | 705233 | 705233 | 705235 | 705237 | 705238 |
| 9 | 1 | O-Ring | 705234 | 705234 | 705236 | 705237 | 705238 |
| 10 | 1 | *Wiper Ring | 771755 | 771755 | 771755 | 771755 | 771755 |
| 11 | 1 | L - Valve Body Upper Part | 149069 | 149070 | 149071 | 148684 | 148685 |
| 12 | 1 | T - Valve Body Upper Part | 149124 | 149125 | 150374 | 150575 | 150376 |
| 13 | 1 | T - Valve Body | 149122 | 149123 | 150371 | 150372 | 150373 |
| 14 | 1 | L - Valve Body | 149066 | 149067 | 149068 | 148682 | 148683 |
| 15 | 1 | L-fl Valve Body | | 149398 | | 151315 | 151316 |
| 16 | 1 | KIT - Valve Body | 152713 | 152714 | 151389 | 151390 | 151391 |
| 17 | 1 | J - Valve Body | 152747 | 149397 | 152748 | 151306 | 151307 |
| 18 | 4 | Tension Disc | 711173 | 711173 | 711173 | | |
| 19 | 4 | Tension Disc | | | | 771174 | 771174 |
| | | *HNBR(Standard) | 771755 | 771755 | 771755 | 771755 | 771755 |
| | | Viton | 770004 | 770004 | 770004 | 770004 | 770004 |
| | | EPDM | 770418 | 770418 | 770418 | 770418 | 770418 |

 **APV VPS-ISO Valves**
Valve Bodies Type VPS-ISO Clamp



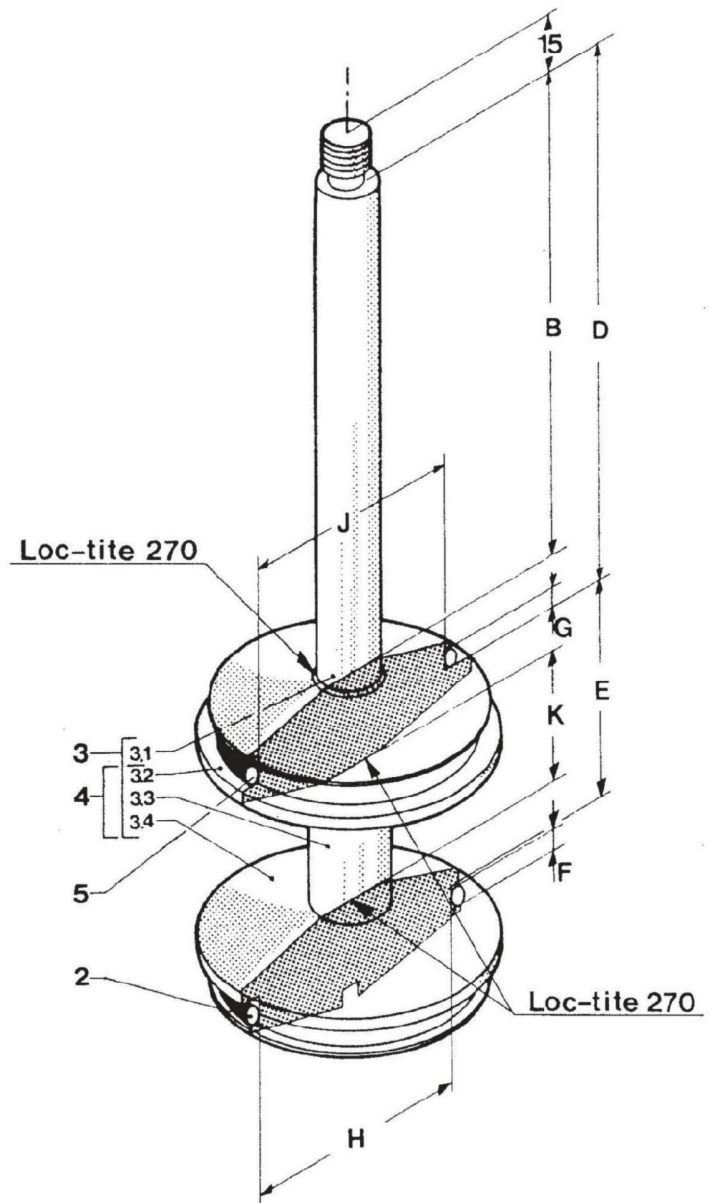
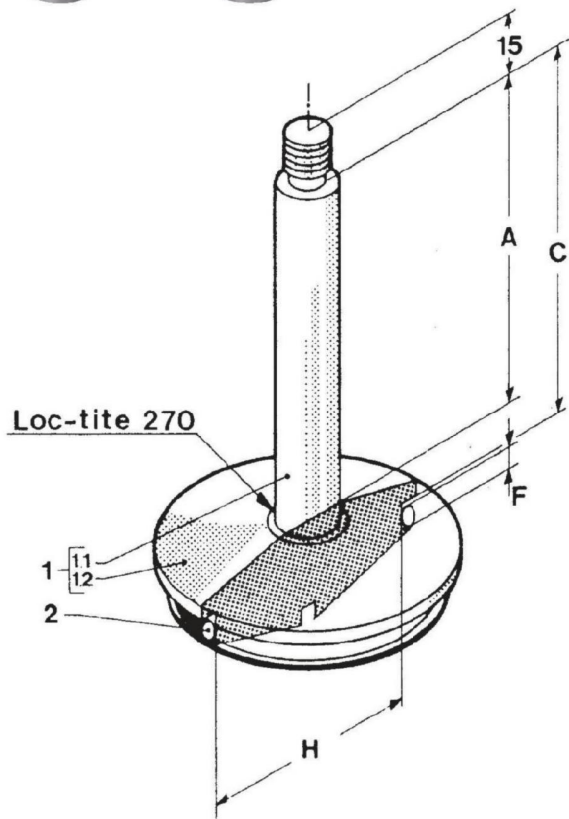
 **APV VPS-ISO Valves**

Valve Bodies Type VPS-ISO Clamp (contd)

| Item | Qty | Description | Ø25 | Ø38 | Ø51 | Ø63.5 | Ø76 | Ø101.6 |
|------|-----|---|----------------------------|----------------------------|----------------------------|----------------------------|----------------------------|--------|
| | | | Part No. | | | | | |
| - | 1 | L - Valve Complete | 183104 | 171540 | 171541 | 171542 | 171543 | 171544 |
| - | 1 | T - Valve Complete | 183105 | 171558 | 171559 | 171560 | 171561 | 171562 |
| - | 1 | KTT - Valve Complete | 183106 | 171573 | 171574 | 171575 | 171576 | 171577 |
| - | 1 | L-fl Valve Complete | | | 171555 | | 171556 | 171557 |
| - | 1 | J - Valve Complete | 183108 | 171578 | 171579 | 171580 | 171581 | 171582 |
| - | 1 | LL - Valve Complete | 183109 | 171545 | 171546 | 171547 | 171548 | 171549 |
| - | 1 | LT - Valve Complete | 183110 | 171550 | 171551 | 171552 | 171553 | 171554 |
| - | 1 | TL - Valve Complete | 183111 | 171568 | 171569 | 171570 | 171571 | 171572 |
| - | 1 | TT - Valve Complete | 183112 | 171563 | 171564 | 171565 | 171566 | 171567 |
| 1 | 1 | Spindle Single | 187370 | 171965 | 171965 | 171966 | 179123 | 179122 |
| 2 | 1 | Spindle Double | 187371 | 169048 | 169048 | 169049 | 179947 | 179946 |
| 1)3 | 1 | Spacer | 169043 | 169043 | 169043 | 169047 | 171968 | 171968 |
| 2)3 | 1 | Spacer | 169043 | 169043 | 169043 | 169047 | 169271 | 169271 |
| 4 | 1-2 | Clamp | 173737 | 173737 | 173737 | 173738 | 169050 | 169050 |
| 5 | 1 | Gasket | 260252 | 240896 | 240896 | 254461 | 255479 | 255479 |
| 6 | 1 | Gasket | 260252 | 240896 | 240896 | 254461 | 255480 | 255480 |
| 7 | 1 | O-Ring | 771309 | 705233 | 705233 | 705235 | 705237 | 705238 |
| 8 | 1 | O-Ring | 771309 | 705234 | 705234 | 705236 | 705237 | 705238 |
| 9* | 1 | Wiper Ring High Nitrile Viton EPDM | 771755 770004 770418 | 771755 770004 770418 | 771755 770004 770418 | 771755 770004 770418 | 771755 770004 770418 | |
| 10 | 1 | L - Valve Body Upper Part | 183057 | 169018 | 169028 | 169033 | 169036 | 169037 |
| 11 | 1 | T - Valve Body Upper Part | 183058 | 169020 | 169027 | 169034 | 169035 | 169039 |
| 12 | 1 | T - Valve Body | 183056 | 169022 | 169026 | 169031 | 169040 | 169041 |
| 13 | 1 | L - Valve Body | 183055 | 169017 | 169029 | 169032 | 169038 | 169042 |
| 14 | 1 | L-fl Valve Body | | | 169055 | | 169056 | 169057 |
| 15 | 1 | KTT - Valve Body | 188198 | 169058 | 169059 | 169060 | 169061 | 169062 |
| 16 | 1 | J - Valve Body | 188197 | 169063 | 169064 | 169065 | 169066 | 169067 |
| 17 | 1 | Bush | | | | | 770890 | 770890 |

* Standard High Nitrile

 **APV VPS-ISO Valves**
Spindle for VPS-ISO Clamp



 **APV VPS-ISO Valves**
Spindle for VPS-ISO Clamp (contd)

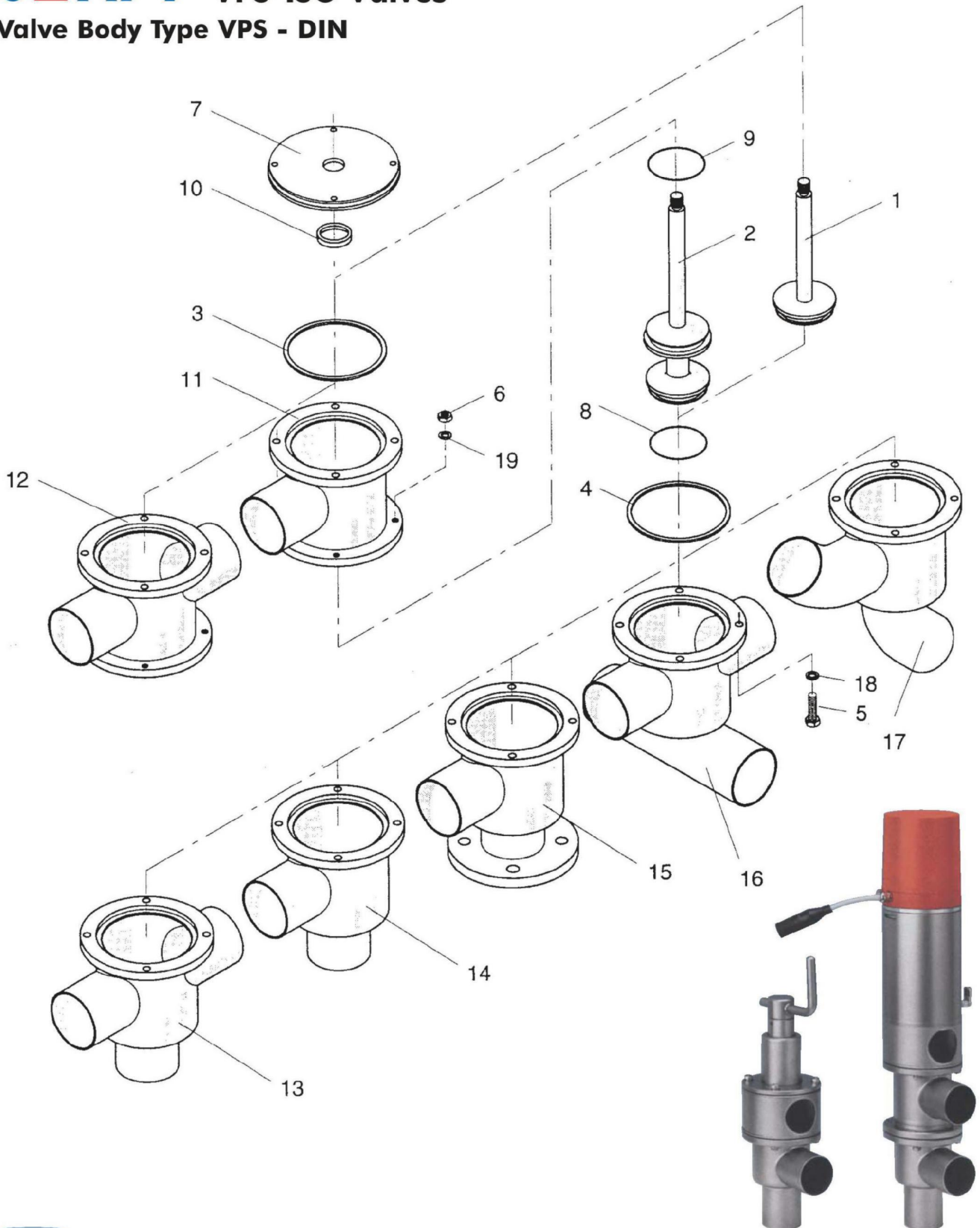
| Dimension | ISO | | | |
|-----------|--------|-------|------|--------|
| | Ø38-51 | Ø63,5 | Ø76 | Ø101,6 |
| A | 75 | 95 | 102 | 133 |
| B | 119 | 144 | 164 | 191,5 |
| C | 82 | 106 | 113 | 147 |
| D | 133 | 159 | 180 | 211,5 |
| E | 37 | 55 | 62,5 | 91,5 |
| F | 6 | 6 | 6 | 7 |
| G | 6 | 6 | 6 | 7 |
| H | 41 | 53 | 65 | 90 |
| J | 45 | 57 | 65 | 90 |
| K | - | - | 40 | 64,5 |

| Dimension | ISO-CLAMP | | | | |
|-----------|-----------|--------|-------|-------|--------|
| | Ø25 | Ø38-51 | Ø63,5 | Ø76 | Ø101,6 |
| A | 62 | 85 | 105 | 112 | 143 |
| B | 107 | 129 | 154 | 174 | 201,5 |
| C | 69 | 92 | 116 | 123 | 157 |
| D | 117,5 | 143 | 169 | 190,5 | 222,5 |
| E | 14 | 37 | 55 | 62,5 | 91,5 |
| F | 5 | 6 | 6 | 6 | 7 |
| G | 5 | 6 | 6 | 6 | 7 |
| H | 29,5 | 41 | 53 | 65 | 90 |
| J | 29,5 | 45 | 57 | 65 | 90 |
| K | - | - | - | 40 | 64,5 |

| Item | Dimension | ISO | | | |
|------|----------------|----------|--------|--------|--------|
| | | Ø38-51 | Ø63,5 | Ø76 | Ø101,6 |
| | | Part No. | | | |
| 1 | Spindle Single | 147271 | 147272 | 147273 | 147274 |
| 1.1 | Stay Bolt | 240948 | 240971 | 240970 | 240972 |
| 1.2 | Valve Cone | 240951 | 240973 | 240950 | 240927 |
| 2 | O-Ring | 705233 | 705235 | 705237 | 705238 |
| 3 | Spindle Double | 149073 | 149074 | 149075 | 149076 |
| 3.1 | Stay Bolt | 240947 | 240946 | 240945 | 238232 |
| 3.2 | Valve Cone | | | 240949 | 240928 |
| 3.3 | Stay Bolt | | | 240944 | 240926 |
| 3.4 | Valve Cone | | | 240950 | 240927 |
| 4 | Valve Cone | 240960 | 240961 | | |
| 5 | O-Ring | 705234 | 705236 | 705237 | 705238 |

| Dimension | ISO-CLAMP | | | | | |
|-----------|-----------|----------|--------|--------|--------|--|
| | Ø25 | Ø38-51 | Ø63,5 | Ø76 | Ø101,6 | |
| | | Part No. | | | | |
| A | 187370 | 171965 | 171966 | 179123 | 179122 | |
| B | 260236 | 254538 | 254540 | 255668 | 255526 | |
| C | 249347 | 240951 | 240973 | 240950 | 240927 | |
| D | 771309 | 705233 | 705235 | 705237 | 705238 | |
| E | 187371 | 169048 | 169049 | 179947 | 179946 | |
| F | 254823 | 254539 | 254541 | 254826 | 256004 | |
| G | | | | 240949 | 240928 | |
| H | | | | 240944 | 240926 | |
| J | | | | 240950 | 240927 | |
| K | 260235 | 240960 | 240961 | | | |
| | 771309 | 705234 | 705236 | 705237 | 705238 | |

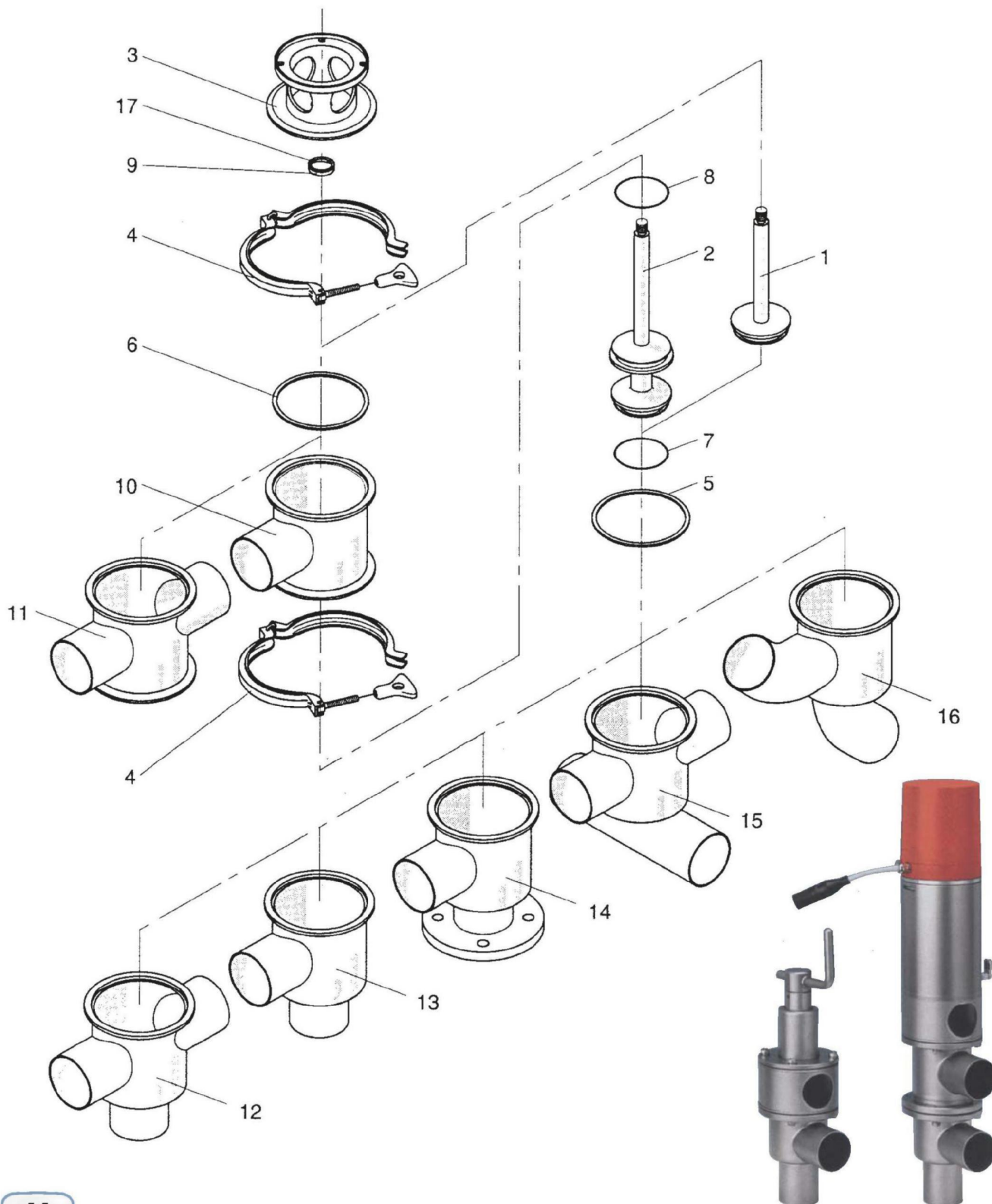
 **APV VPS-ISO Valves**
Valve Body Type VPS - DIN



 **APV VPS-ISO Valves**
Valve Body Type VPS - DIN (contd)

| Item | Qty | Description | NW40 | NW50 | NW65 | NW80 | NW100 |
|------|-----|---------------------------|----------|--------|--------|--------|--------|
| | | | Part No. | | | | |
| - | - | L - Valve Complete | 172562 | 172563 | 172564 | 172565 | 172566 |
| - | - | T - Valve Complete | 172567 | 172568 | 172569 | 172570 | 172571 |
| - | - | KTT - Valve Complete | 172572 | 172573 | 172574 | 172575 | 172576 |
| - | - | L-fl Valve Complete | | 172582 | | 172583 | 172584 |
| - | - | J - Valve Complete | 172577 | 172578 | 172579 | 172580 | 172581 |
| - | - | LL - Valve Complete | 175587 | 172588 | 172589 | 172590 | 172591 |
| - | - | LT - Valve Complete | 172592 | 172593 | 172594 | 172595 | 172596 |
| - | - | TL - Valve Complete | 172597 | 172598 | 172599 | 172600 | 172601 |
| - | - | TT - Valve Complete | 172602 | 172603 | 172604 | 172605 | 172606 |
| 1 | 1 | Spindle Single | 147271 | 147271 | 172608 | 172609 | 172610 |
| 2 | 1 | Spindle Double | 168913 | 168913 | 168912 | 169162 | 169163 |
| 3 | 1 | Gasket | 240896 | 240896 | 240897 | 250020 | 250020 |
| 4 | 1 | Gasket | 240896 | 240896 | 240897 | 240898 | 240898 |
| 5 | 4 | Screw | 705856 | 705856 | 700678 | 234177 | 234177 |
| 6 | 4 | Nut | | | | 700241 | 700241 |
| 7 | 1 | Washer | 254209 | 254209 | 254210 | 254211 | 254211 |
| 8 | 1 | O-Ring | 705233 | 705233 | 770552 | 770553 | 770554 |
| 9 | 1 | O-Ring | 705234 | 705234 | 705236 | 705237 | 705238 |
| 10 | 1 | *Wiper Ring | 771755 | 771755 | 771755 | 771755 | 771755 |
| 11 | 1 | L - Valve Body Upper Part | 157082 | 156966 | 156961 | 169104 | 169127 |
| 12 | 1 | T - Valve Body Upper Part | 168908 | 168910 | 168902 | 169105 | 169128 |
| 13 | 1 | T - Valve Body Upper Part | 168909 | 157086 | 156960 | 169107 | 169114 |
| 14 | 1 | L - Valve Body | 157080 | 156965 | 156969 | 169106 | 169117 |
| 15 | 1 | L-fl Valve Body | | 169158 | | 169159 | 169160 |
| 16 | 1 | KTT - Valve Body | 169148 | 169149 | 169150 | 169151 | 169152 |
| 17 | 1 | J - Valve Body | 169153 | 169154 | 169155 | 169156 | 169157 |
| 18 | 4 | Tension Disc | 711173 | 711173 | 711173 | | |
| 19 | 4 | Tension Disc | | | | 771174 | 771174 |
| | | *HNBR(Standard) | 771755 | 771755 | 771755 | 771755 | 771755 |
| | | Viton | 770004 | 770004 | 770004 | 770004 | 770004 |
| | | EPDM | 770418 | 770418 | 770418 | 770418 | 770418 |

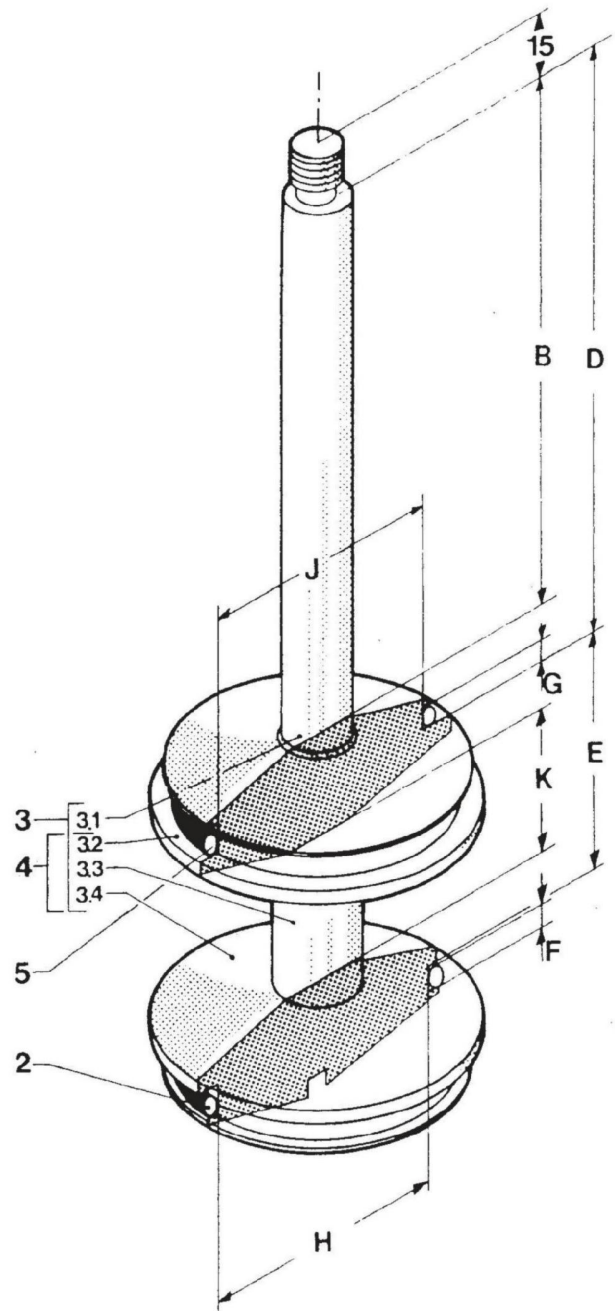
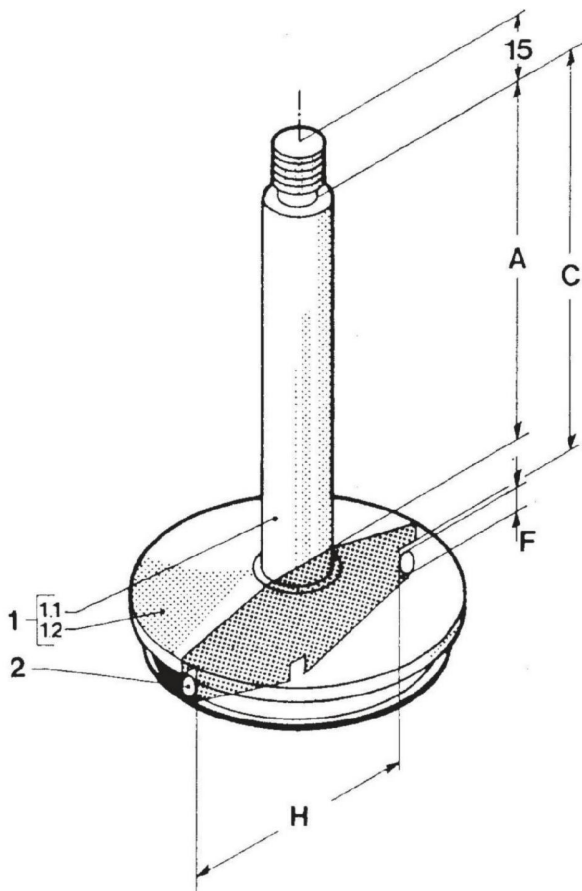
 **APV VPS-ISO Valves**
Valve Bodies Type VPS - DIN Clamp



 **APV VPS-ISO Valves**
Valve Bodies Type VPS - DIN Clamp (contd)

| Item | Qty | Description | NW25 | NW40 | NW50 | NW65 | NW80 | NW100 |
|------|-----|---------------------------|----------|--------|--------|--------|--------|--------|
| | | | Part No. | | | | | |
| - | - | L - Valve Complete | 179799 | 173782 | 173783 | 173784 | 173785 | 173786 |
| - | - | T - Valve Complete | 179800 | 173787 | 173788 | 173789 | 173790 | 173791 |
| - | - | KTT - Valve Complete | 179801 | 173792 | 173793 | 173794 | 173795 | 173796 |
| - | - | L-fl Valve Complete | | | 173797 | | 173798 | 173799 |
| - | - | J - Valve Complete | 179802 | 173800 | 173801 | 173802 | 173803 | 173804 |
| - | - | LL - Valve Complete | 179803 | 173805 | 173806 | 173807 | 173808 | 173809 |
| - | - | LT - Valve Complete | 179804 | 173810 | 173811 | 173812 | 173813 | 173814 |
| - | - | TL - Valve Complete | 179805 | 173815 | 173816 | 173817 | 173818 | 173819 |
| - | - | TT - Valve Complete | 179806 | 173820 | 173821 | 173822 | 173823 | 173824 |
| 1 | 1 | Spindle Single | 179798 | 171965 | 171965 | 173825 | 174619 | 175658 |
| 2 | 1 | Spindle Double | 182938 | 169226 | 169226 | 169223 | 169207 | 175659 |
| 1)3 | 1 | Spacer | 169043 | 169043 | 169043 | 169047 | 171968 | 171968 |
| 3)3 | 1 | Spacer | 169043 | 169043 | 169043 | 169047 | 169271 | 169271 |
| 4 | 1-2 | Clamp | 173737 | 173737 | 173737 | 173738 | 169050 | 169050 |
| 5 | 1 | Gasket | 240896 | 240896 | 240896 | 255000 | 255479 | 255479 |
| 6 | 1 | Gasket | 240896 | 240896 | 240896 | 255000 | 255480 | 255480 |
| 7 | 1 | O-Ring | 771309 | 705233 | 705233 | 770552 | 770553 | 770554 |
| 8 | 1 | O-Ring | 770051 | 705234 | 705234 | 705236 | 705237 | 705238 |
| 9* | 1 | Wiper Ring | 771755 | 771755 | 771755 | 771755 | 771755 | 771755 |
| 10 | 1 | L - Valve Body Upper Part | 182936 | 169219 | 169220 | 169218 | 169205 | 175588 |
| 11 | 1 | T - Valve Body Upper Part | 182937 | 169212 | 169211 | 169227 | 169206 | 175589 |
| 12 | 1 | T - Valve Body | 182933 | 169213 | 169215 | 169228 | 169204 | 175587 |
| 13 | 1 | L - Valve Body | 182935 | 169214 | 169216 | 169217 | 169203 | 175586 |
| 14 | 1 | L-fl Valve Body | | | 169221 | | 175615 | 175616 |
| 15 | 1 | KTT - Valve Body | 188211 | 179980 | 179981 | 179982 | 179983 | 179984 |
| 16 | 1 | J - Valve Body | 188212 | 179985 | 179966 | 179987 | 179988 | 179989 |
| 17 | 1 | Bush | | 711173 | 711173 | 711173 | | |
| | | *HNBR(Standard) | | 771755 | 771755 | 771755 | 771755 | 771755 |
| | | Viton (M88) | | 770004 | 770004 | 770004 | 770004 | 770004 |
| | | EPDM (EPDM85) | | 770418 | 770418 | 770418 | 770418 | 770418 |

 **APV VPS-ISO Valves**
Valve Bodies Type VPS - DIN Clamp (contd)



 **APV VPS-ISO Valves**
Spindle for VPS - DIN/DIN Clamp

| Dimension | DIN | | | |
|-----------|---------|------|-------|-------|
| | NW40-50 | NW65 | NW80 | NW100 |
| A | 75 | 95 | 107 | 133 |
| B | 144 | 151 | 174 | 191.5 |
| C | 82 | 106 | 118 | 147 |
| D | 158 | 166 | 190.5 | 211.5 |
| E | 37 | 55 | 67.5 | 91.5 |
| F | 6 | 6 | 6 | 7 |
| G | 6 | 6 | 6 | 7 |
| H | 41 | 58.8 | 74 | 92.5 |
| J | 45 | 57 | 65 | 90 |
| K | - | - | 45 | 64.5 |

| Dimension | DIN-CLAMP | | | | |
|-----------|-----------|---------|------|-------|-------|
| | NW25 | NW40-50 | NW65 | NW80 | NW100 |
| A | 80 | 85 | 105 | 117 | 143 |
| B | 112 | 154 | 161 | 184 | 201.5 |
| C | 87 | 92 | 116 | 128 | 157 |
| D | 122 | 168 | 176 | 200.5 | 221.5 |
| E | 30 | 37 | 55 | 67.5 | 91.5 |
| F | 7 | 6 | 6 | 6 | 7 |
| G | 7 | 6 | 6 | 6 | 7 |
| H | 29.5 | 41 | 58.8 | 74 | 92.5 |
| J | 34 | 45 | 57 | 65 | 90 |
| K | - | - | - | 45 | 64.5 |

| Item | Dimension | DIN | | | |
|------|----------------|----------|--------|--------|--------|
| | | NW40-50 | NW65 | NW80 | NW100 |
| | | Part No. | | | |
| 1 | Spindle Single | 147271 | 172608 | 172609 | 172610 |
| 1.1 | Stay Bolt | 240948 | 240971 | 254823 | 240972 |
| 1.2 | Valve Cone | 240951 | 254828 | 254824 | 254827 |
| 2 | O-Ring | 705233 | 770552 | 770553 | 770554 |
| 3 | Spindle Double | 168913 | 168912 | 169162 | 169163 |
| 3.1 | Stay Bolt | 240946 | 254243 | 254826 | 238232 |
| 3.2 | Valve Cone | | | 240949 | 240928 |
| 3.3 | Stay Bolt | | | 254825 | 240926 |
| 3.4 | Valve Cone | | | 254824 | 254827 |
| 4 | Valve Cone | 240960 | 254829 | | |
| 5 | O-Ring | 705234 | 705236 | 705237 | 705238 |

| Dimension | DIN-CLAMP | | | | | |
|-----------|-----------|----------|--------|--------|--------|--|
| | NW25 | NW40-50 | NW65 | NW80 | NW100 | |
| | | Part No. | | | | |
| A | 179798 | 171965 | 173825 | 174619 | 175658 | |
| B | 260112 | 254538 | 254540 | 255221 | 255526 | |
| C | 249347 | 240951 | 254828 | 254824 | 254827 | |
| D | 773109 | 705233 | 770552 | 770553 | 770554 | |
| E | 182938 | 169226 | 169223 | 169207 | 175659 | |
| F | 255668 | 254541 | 255038 | 255220 | 256004 | |
| G | | | | 240949 | 240928 | |
| H | | | | 254825 | 240926 | |
| J | | | | 254824 | 254827 | |
| K | 260107 | 240960 | 254829 | | | |
| | 770051 | 705234 | 705236 | 705237 | 705238 | |