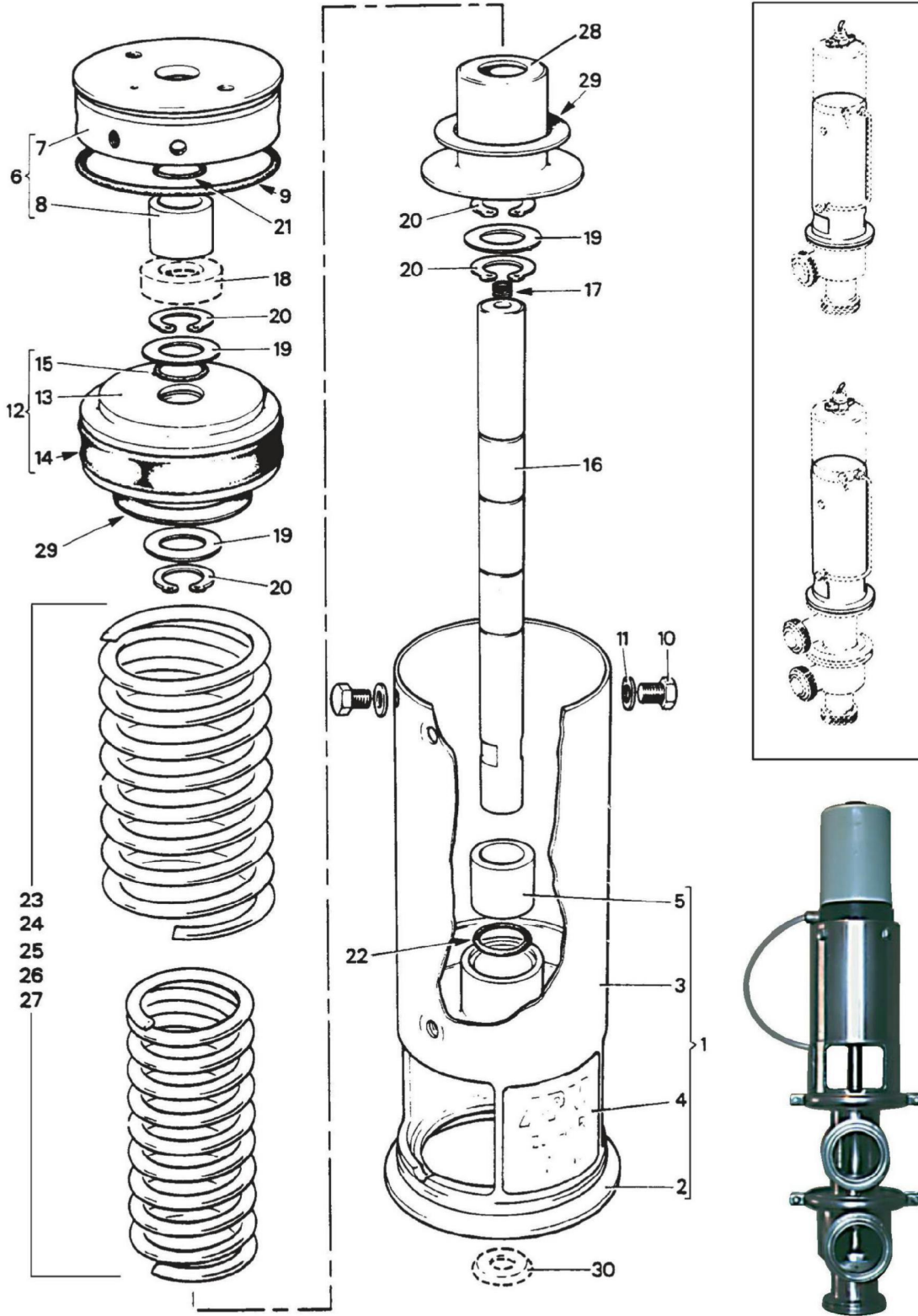


APV Zephyr Valve Series 3 - Air Cylinder



Air cylinder sub-assembly and components

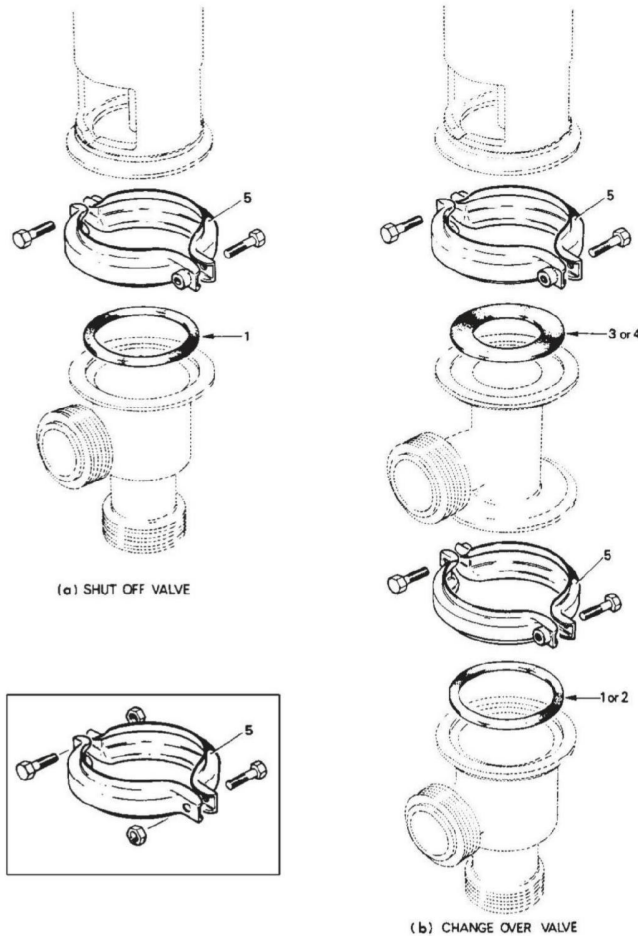
ZEPHYR VALVE SERIES 3								
ITEM	DESCRIPTION	No. off	Code Numbers/Valve Sizes					
			1 1/2 in.	2 in.	2 1/2	3 in.	4 in.	
Listed Below are AIR CYLINDER SUB-ASSY and COMPONENTS								
1	Air Cylinder Sub-Assy	-	229372	229373	229374	229375	229376	
2	Yoke	1	302906	302907	302908	302909	302910	
3	Honed Tube	1	353527	353528	353529	353530	353548	
4	APV Nameplate	1	341264	341265	341265	341265	341265	
5	Bush, 'O-lite'	1	446818	446819	446819	446820	446834	
6	Air Cylinder Top Bearing Housing Assy	-	208851	208852	208853	208854	208855	
7	Cap	1	324917	324918	324919	324920	324921	
8	Bush, 'O-lite'	1	446818	446819	446819	446820	446820	
9	O-Ring Seal for Top Bearing Housing	2 1/4 in. i.d. x 2 1/2 in. o.d.	1	426597	-	-	-	-
		3 1/4 in. i.d. x 3 1/2 in. o.d.	1	-	426569	-	-	-
		4 1/4 in. i.d. x 4 1/2 in. o.d.	1	-	-	426819	426819	-
		5 1/2 in. i.d. x 5 3/4 in. o.d.	1	-	-	-	-	426894
10	Screw Shouldered	3	434270	-	-	-	-	
		4	-	434270	434270	434270	434270	
11	Washer, Selon	3	444111	-	-	-	-	
		4	-	444111	444111	444111	444111	
12	Piston Sub-assy	-	239709	239708	239707	239706	239711	
13	Piston	1	339346	339347	339348	339349	339352	
14	O-Ring seal (Piston/Cylinder) Flexipac seal (Piston/Cylinder)	2 1/4 in. i.d. x 2 1/4 in. o.d.	1	426597	-	-	-	-
		3 1/2 in. o.d.	1	-	427886	-	-	-
		4 1/2 in. o.d.	1	-	-	427887	427887	-
		5 3/4 in. o.d.	1	-	-	-	-	459131
15	O-Ring Seal (Piston/Shaft)	5/8 in. i.d. x 7/16 in. o.d.	1	426531	-	-	-	-
		3/4 in. i.d. x 15/16 in. o.d.	1	-	426542	426542	-	-
		7/8 in. i.d. x 1 1/16 in. o.d.	1	-	-	-	426463	-
		1 in. i.d. x 1 3/16 in. o.d.	1	-	-	-	-	426895
16	Shaft with 'Helicoil' Insert	1	243543	243544	243545	243546	243547	
17	'Helicoil' Lock Insert	3/8 in. BSF	1	411802	-	-	-	-
		1/2 in. BSF	1	-	411803	411803	411803	411803
18	Stroke Restricting Collar (Diaphragm Valve Only)	1	314688	314685	314685	-	-	
19	Stop Ring	3	314672	314674	314674	314675	314677	
20	Circlip for Shaft, External Type,	1/2 in. dia. (Anderton 1500-E-396)	4	405842	-	-	-	-
		5/8 in. dia. (Anderton 1500-E-485)	4	-	405839	405839	-	-
		7/8 in. dia. (Anderton 1500-E-586)	4	-	-	-	405840	-
		1 in. dia. (Anderton 1500-E-743)	4	-	-	-	-	405841
21	O-Ring Seal for Shaft (upper)	5/8 in. i.d. x 7/16 in. o.d.	1	426531	-	-	-	-
		3/4 in. i.d. x 15/16 in. o.d.	1	-	426542	426542	-	-
		7/8 in. i.d. x 1 1/16 in. o.d.	1	-	-	-	426463	426463
22	O-Ring Seal for Shaft (lower)	5/8 in. i.d. x 7/16 in. o.d.	1	426531	-	-	-	-
		3/4 in. i.d. x 15/16 in. o.d.	1	-	426542	426542	-	-
		7/8 in. i.d. x 1 1/16 in. o.d.	1	-	-	-	426463	-
		1 in. i.d. x 1 3/16 in. o.d.	1	-	-	-	-	426895
23	Air Cylinder Spring where:- Air Cylinder Rating=5	1	436495	436497	436499	436400	-	
		1	(Black-Black)	(Black-Blue)	(White-White)	(White-Yellow)	-	
24	Air Cylinder Rating=30	1	436496	436498	436492	436493	435908	
		1	(Black-White)	(Black-Yellow)	(White-Blue)	(White-Green)	(Blue-Green)	
25	Air Cylinder Rating=60 (Using Single Spring)	1	436489	436490	-	-	-	
		1	(Black-Red)	(Black-Green)	-	-	-	
26	Air Cylinder Rating=60 (Using Double Spring) Inner Spring	1	-	-	436491	436493	435908	
		1	-	-	(White-Red)	(White-Green)	(Blue-Green)	
27	Outer Spring	1	-	-	436942	436494	435907	
		1	-	-	(White-Blue)	(Red-Red)	(Blue-Yellow)	

Spring Colour Code in Brackets

APV Zephyr Valve Series 3 - Air Cylinder (contd)

ZEPHYR VALVE SERIES 3							
ITEM	DESCRIPTION	No. off	Code Numbers/Valve Sizes				
			1 1/2 in.	2 in.	2 1/2	3 in.	4 in.
Listed Below are AIR CYLINDER SUB-ASSY and COMPONENTS (contd)							
28	Spring Retainer	1	411408	411409	411410	411411	411412
29	Plastic Washer	-	-	-	-	-	-
(1)	0.010 in. x 1 7/8 in. o.d. x 1 3/8 in. i.d.	2	444132	-	-	-	-
(2)	0.010 in. x 1 5/8 in. o.d. x 1 3/8 in. i.d.	2	-	444133	-	-	-
(3)	0.010 in. x 3 3/8 in. o.d. x 1 7/8 in. i.d.	2	-	-	444135	-	-
(4)	0.010 in. x 2 11/16 in. o.d. x 1 7/8 in. i.d.	2	-	-	-	444134	-
(5)	0.010 in. x 3 3/8 in. o.d. x 2 1/8 in. i.d.	2	-	-	-	444136	-
(6)	0.010 in. x 3 5/8 in. o.d. x 2 7/8 in. i.d.	2	-	-	-	444138	-
(7)	0.010 in. x 4 3/8 in. o.d. x 2 5/8 in. i.d.	2	-	-	-	-	444137
-	Oil Deflector Plate (optional) (Required for special orders when specified)						
30	Deflector Plate	1	339234	339235	339235	339235	339235

APV Zephyr Valve Series 3 - Joint Rings & Body Couplings



Joint rings and body couplings [Items 1 to 9]

APV Zephyr Valve Series 3 - Joint Rings & Body Couplings

ZEPHYR VALVE SERIES 3						
ITEM	DESCRIPTION	No. off	Code Numbers/Valve Sizes			
			1 1/2 in.	2 in.	2 1/2	3 in.
JOINT RINGS						
(a)	Joint Ring Shut-Off Valve (Required only when Product Seal is O-Ring Plate Type)	-	-	-	-	-
	Joint Ring Located Between O-Ring plate and valve Body	1	-	-	-	-
1	Material E.P. Rubber	-	413977	413978	413979	413980 413981
(b)	Joint Ring Change-Over Valve	-	-	-	-	-
	Joint Ring Located Between Tee or Cross-Piece Body and Valve Body	1	-	-	-	-
1	Material E.P. Rubber	-	413977	413978	413979	413980 413981
2	Material Medium Nitrile Rubber	-	413895	413896	413897	413898 413921
(b)	Joint Ring Change-Over Valve (Required only when Product Seal is O-Ring Plate Type)	-	-	-	-	-
	Joint Ring Located Between O-Ring plate and Tee or Cross-Piece Body	1	-	-	-	-
3	Material E.P. Rubber	-	413984	413985	413986	413987 413976
4	Material Medium Nitrile Rubber	-	413902	413903	413904	413905 413975
BODY COUPLINGS						
(a)	Body Couplings for Shut-Off Valve	-	-	-	-	-
5	Captive Nut Type	2	405442	405444	405445	-
6	Loose Nut Type Assembly	1	226834	226835	226836	226832 -
7	Setscrew M6 x 40mm	2	-	-	-	460414 -
8	Hex Nut M6	2	-	-	-	460224 -
9	Pressed Clamp	2	-	-	-	314048 -
6	Loose Nut Type for 4 in. Valve Body	1	-	-	-	- 226833
7	Setscrew M8 x 40mm	2	-	-	-	- 460422
8	Hex. Nut M8	2	-	-	-	- 460225
9	Pressed Clamp	2	-	-	-	- 314049
(b)	Body Coupling for Change-Over Valve	-	-	-	-	-
5	Captive Nut Type	4	405442	405444	405445	-
6	Loose Nut Type Assembly	2	226834	226835	226836	226832 -
7	Setscrew M6 x 40mm	4	-	-	-	460414 -
8	Hex Nut M6	4	-	-	-	460224 -
9	Pressed Clamp	4	314058	314059-	314060	314048 -
6	Loose Nut Type	2	-	-	-	- 226833
7	Setscrew M8 x 40mm	4	-	-	-	- 460422
8	Hex. Nut M8	4	-	-	-	- 460225
9	Pressed Clamp	4	-	-	-	- 314049

**SERIES III
ZEPHYR VALVE**



moody part
 Alternative Parts
 Giving Choice & Value

APV Zephyr Valve Series 3 - Product & Head Seals

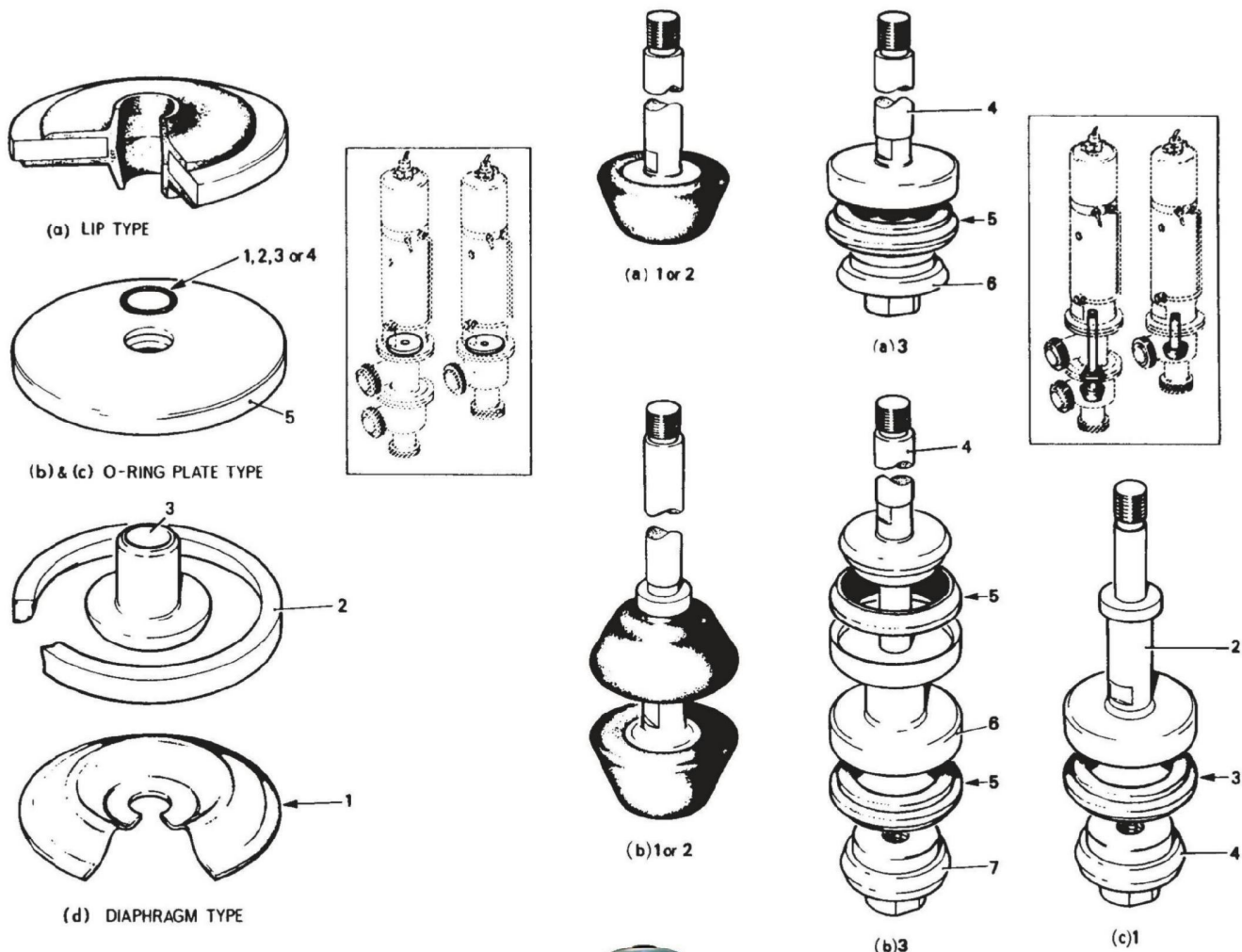


Fig. A Product seals

Fig. B Head seals



SERIES III
 ZEPHYR VALVE

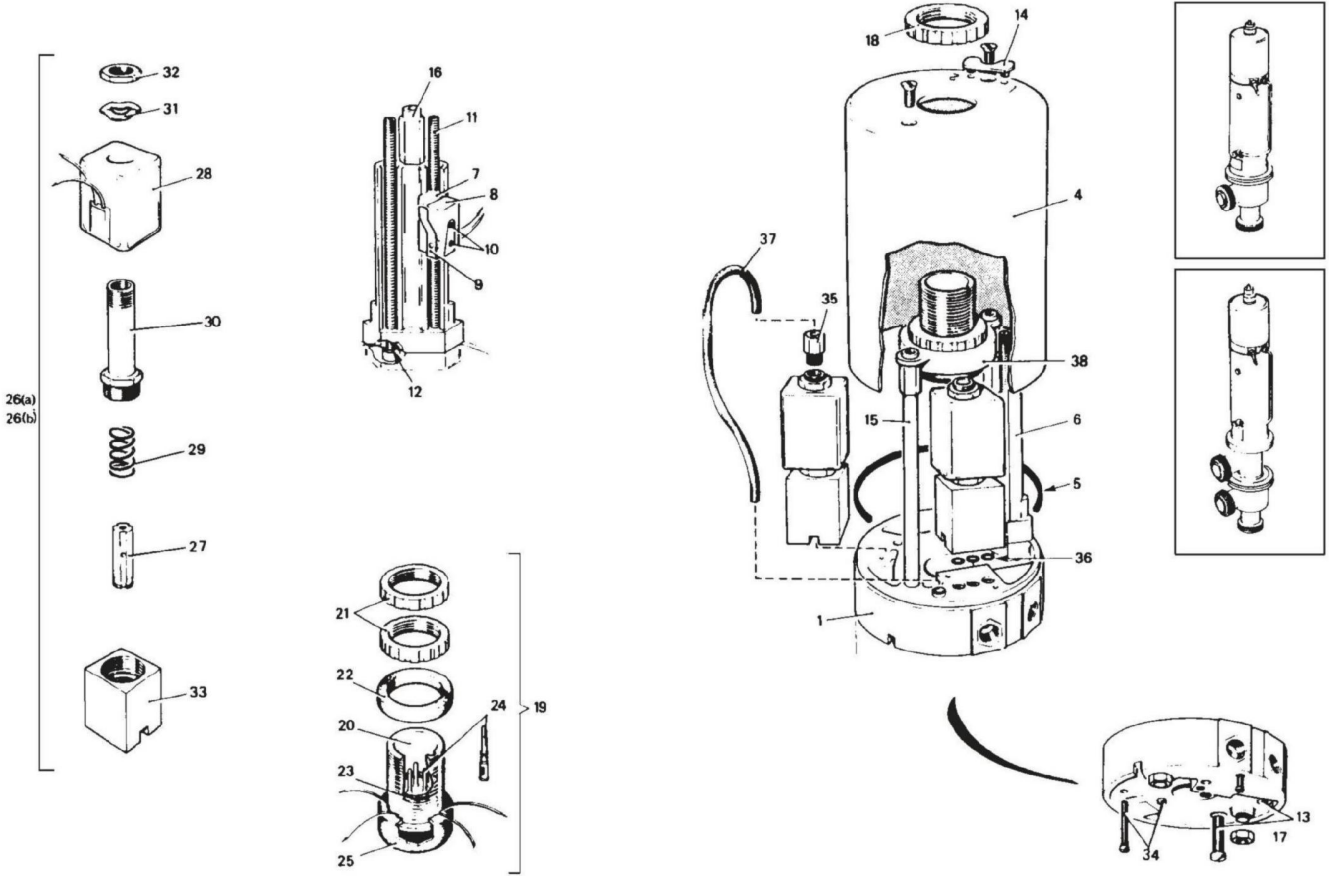


Zephyr Valve Series 3 - Product & Head Seals (contd)

ZEPHYR VALVE SERIES 3							
ITEM Fig. A	DESCRIPTION	No. off	Code Numbers/Valve Sizes				
			1 1/2 in.	2 in.	2 1/2 in.	3 in.	4 in.
(a)	PRODUCT SEAL (alternatives (a), (b), (c))						
	Lip Type Assembly						
	For Shut -Off Valve	-	356029	356030	356031	356032	356033
	For Change- Over Valve	-	356029	356030	356031	356032	-
(b)	O-Ring Plate Type assy for Shut-Off Valve	-	-	-	-	-	-
1	O-Ring Seal E.P. Rubber 80° BS-	1	413941	-	-	-	-
2		1	-	413942	413942	-	-
3		1	-	-	-	413943	413943
5	O-Ring Plate	1	338800	338801	338802	338803	338810
(c)	O-ring Plate Type assy for Chane-Over Valve	-	-	-	-	-	-
1	O-Ring Seal E.P. Rubber 80° BS-	1	413941	-	-	-	-
2		1	-	413942	413942	-	-
3		1	-	-	-	413943	-
4		1	-	-	-	-	413983
5	O-Ring Plate	1	338800	338801	338802	338803	3388029
(d)	Diaphragm Type assy (Use on Diaphragm Type valve ONLY)	-	-	-	-	-	-
1	Diaphragm seal PTFE	1	406650	406651	406642	-	-
2	Clamp Ring	1	345095	345090	345089	-	-
3	Clamp Ring Collar	1	314687	314684	314683	-	-
Fig. B							
(a)	HEAD SEAL (alternatives)	1	-	-	-	-	-
1	Head Seal Shut-Off Valve	-	-	-	-	-	-
	Seal Face Material Medium Nitrile Rubber	-	356055	356056	356057	356058	244074
	Seal Face Material E.P. Rubber	-	356048	356045	356047	356051	244067
3	Head Seal assy PTFE Type	-	232402	232403	232404	232405	232425
4	Stem	1	246234	246235	246236	246237	246244
5	PTFE Seal	1	459601	459602	459603	459604	459619
6	Clamping Nut	1	213527	213528	213529	213530	213533
(b)	Head Seal for Change-Over Valve	1	-	-	-	-	-
	Seal Face Material Medium Nitrile Rubber	-	356059	356060	356061	356062	244083
	Seal Face Material E.P. Rubber	-	356053	356046	356049	356054	244084
3	Head Seal assy PTFE Type	-	232406	232407	232408	232409	232426
4	Stem	1	348102	246238	246239	246240	246245
5	PTFE Seal	2	459601	459602	459603	459604	459619
6	Spacer	1	347659	347660	347661	347662	347668
7	Clamping Nut	1	213527	213528	213529	213530	213533
(c)	Head Seal (Use on Diaphragm Valve ONLY)	1	-	-	-	-	-
1	Head Seal assy PTFE Type	-	232410	232411	232412	-	-
2	Stem	1	246241	246242	246243	-	-
2	PTFE Seal	1	459601	459602	459603	-	-
4	Clamping Nut	1	213527	213528	213529	-	-



APV Zephyr Valve Series 3 - Installation Packs (contd)



Control unit series 1 components

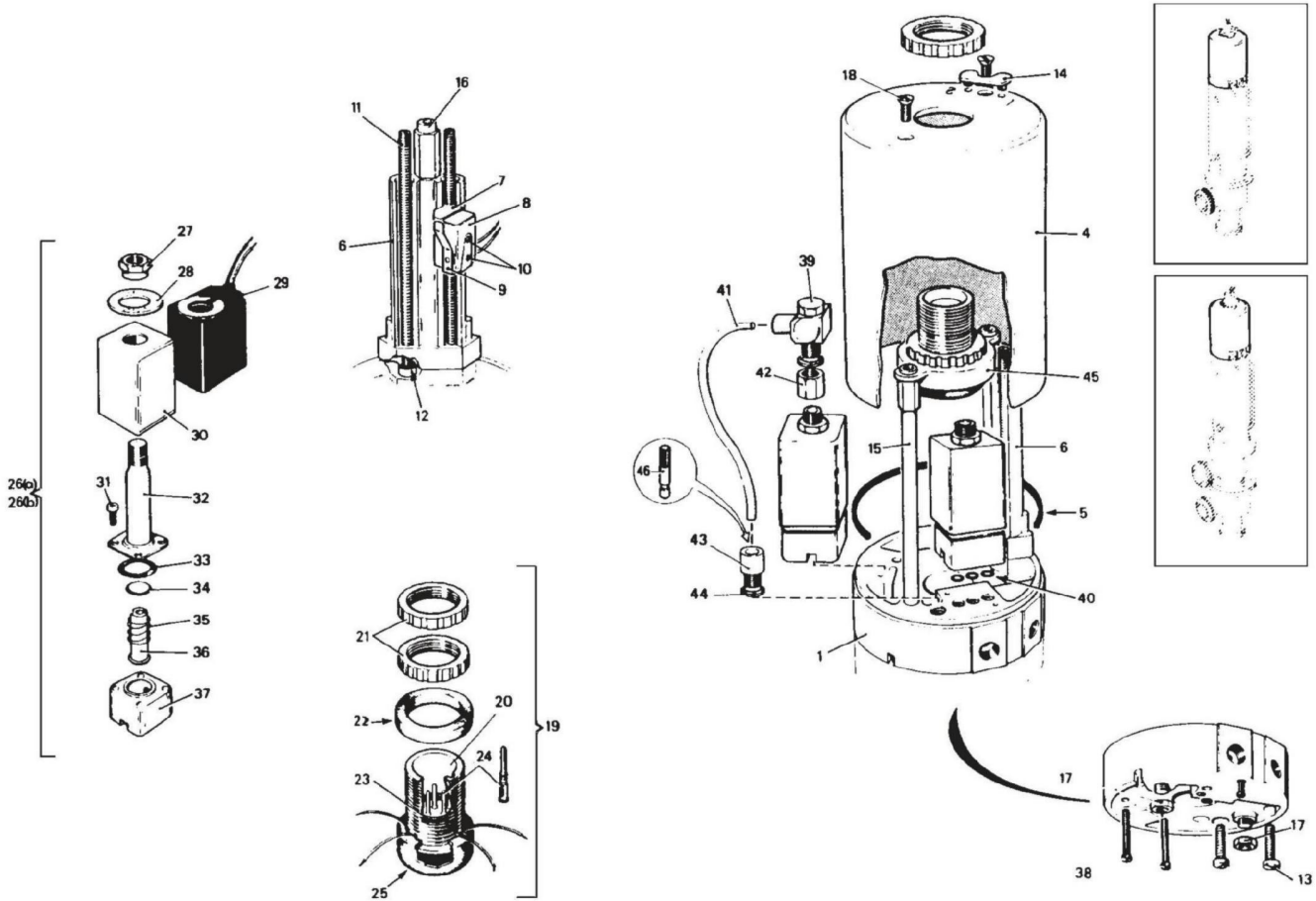
ZEPHYR VALVE SERIES 3							
ITEM	DESCRIPTION	No. off	Code Numbers/Valve Sizes				
			1½ in.	2 in.	2½ in.	3 in.	4 in.
SERIES 1 CONTROL UNIT COMPONENTS							
1	Base	1	400604	400604	400604	400604	400604
2	Plug, Plastic, for 1/8 in. BSP hole, to suit-						
(1)	Air above Zephyr valve piston	2	424371	424371	424371	424371	424371
(2)	Air below Zephyr valve piston	1	424371	424371	424371	424371	424371
(3)	Air above and below Zephyr valve piston	-	-	-	-	-	-
(4)	Arrangement without solenoid valves	3	424371	424371	424371	424371	424371
3	Plug, Plastic, for M4 hole	1	424369	424369	424369	424369	424369
4	Cover	1	404820	404820	404820	404820	404820
5	Seal Ring for Cover	1	459196	459196	459196	459196	459196
6	Slide Housing for Microswitches	1	410801	410801	410801	410801	410801
7	Carrier for Microswitch	2	447901	447901	447901	447901	447901
8	Microswitch	2	438059	438059	438059	438059	438059
9	Actuator Leaf for Microswitch	2	446208	446208	446208	446208	446208
10	Screw, Round Head 8BA x 3/8 in. long	4	432445	432445	432445	432445	432445
11	Adjusting Screw for Microswitch	2	434281	434281	434281	434281	434281
12	O-Ring Seal for Microswitch Adjusting Screw	2	427502	427502	427502	427502	427502
13	Screw, Slotted Pan Head, Self Tapping	2	434291	434291	434291	434291	434291
14	Plug, Plastic (to seal adjusting screw holes in cover)	1	424368	424368	424368	424368	424368
15	Support Post, 8mm Diameter	1	447902	447902	447902	447902	447902

APV Zephyr Valve Series 3 - Installation Packs (contd)

ZEPHYR VALVE SERIES 3							
ITEM	DESCRIPTION	No. off	Code Numbers/Valve Sizes				
			1½ in.	2 in.	2½	3 in.	4 in.
SERIES 1 CONTROL UNIT COMPONENTS (contd)							
16	Support Post, 6mm Diameter	1	447903	447903	447903	447903	447903
17	Nut, Hex. M6 (for transit and storage only)	2	419726	419726	419726	419726	419726
18	Screw, Slotted Countersunk Head M6 x 16mm	2	434285	434285	434285	434285	434285
19	Plug ass'y of Electrical Connector Comprising:-	1	408138	408138	408138	408138	408138
20	Plug Body	1	-	-	-	-	-
21	Locknut	2	-	-	-	-	-
22	Washer Rubber	1	-	-	-	-	-
23	Plug Seal	1	-	-	-	-	-
24	Pin	7	-	-	-	-	-
25	Cable Cover	1	-	-	-	-	-
26(a)	Solenoid Pilot Valve 24V DC (coil identification - red disc) for unit to suit:-						
(1)	Air above Zephyr valve piston	1	441903	441903	441903	441903	441903
(2)	Air below Zephyr valve piston	1	441903	441903	441903	441903	441903
(3)	Air above and below Zephyr valve piston	2	441903	441903	441903	441903	441903
26(b)	Solenoid Pilot Valve 110V aC (coil identification - green disc) available on special order only	-	441943	441943	441943	441943	441943
27	Piston Unit	1	408157	408157	408157	408157	408157
28	Coil 24 Volts DC	1	408156	408156	408156	408156	408156
29	Spring	1	435913	435913	435913	435913	435913
30	Sleeve	1	-	-	-	-	-
31	Washer	1	-	-	-	-	-
32	Nut	1	-	-	-	-	-
33	Body	1	-	-	-	-	-
34	Screw, M3 x 25mm Slotted Cheese Head for Solenoid valve Mounting to suit:-						
(1)	Air above Zephyr valve piston	2	434293	434293	434293	434293	434293
(2)	Air below Zephyr valve piston	2	434293	434293	434293	434293	434293
(3)	Air above and below Zephyr valve piston	4	434293	434293	434293	434293	434293
(4)	Arrangement without solenoid valves	2	434293	434293	434293	434293	434293
35	Adapter, ½ in. BSP male to 6mm push in. Kay Type KPF 3/02141 for unit to suit:-						
	Air above and below Zephyr valve piston	1	400149	400149	400149	400149	400149
36	O-Ring Seal (Solenoid Valve Mounting) to suit:-						
(1)	Air above Zephyr valve piston	3	426577	426577	426577	426577	426577
(2)	Air below Zephyr valve piston	3	426577	426577	426577	426577	426577
(3)	Air above and below Zephyr valve piston	4	426577	426577	426577	426577	426577
(4)	Arrangement without solenoid valves	1	426577	426577	426577	426577	426577
37	Interior Loop Nylon Air Connector Pipe for Unit to suit:-						
	Air above and below Zephyr valve piston application only	1	440230	440230	440230	440230	440230
38	Cable Positioner	1	408151	408151	408151	408151	408151
39	Blank for Unit Arranged without Solenoid Valves	1	302709	302709	302709	302709	302709
40	Earth Lead 19/006 Cable, Green x 4 in. long	1	182431	182431	182431	182431	182431
41	Tag Connection for Earth Lead, Ampliversal Ring Tongue Type 34113	1	408152	408152	408152	408152	408152
42	Helvin Plain Sleeve, Green P20 x 10mm Long	1	408115	408115	408115	408115	408115
43	Helvin Plain Sleeve, Blue P40 x 10mm Long	1	408145	408145	408145	408145	408145
44	Helvin Plain Sleeve, Red P20 x 10mm Long	1	408118	408118	408118	408118	408118
45	Plug, Plastic, to fit in base when item 37 is not fitted	1	424377	424377	424377	424377	424377

Not Illustrated

APV Zephyr Valve Series 3 - Installation Packs (contd)



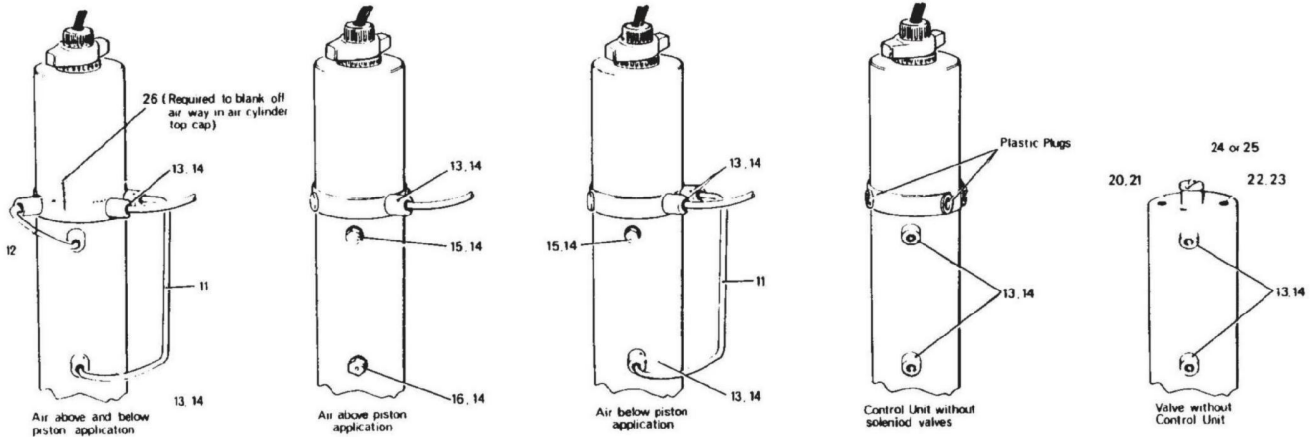
Control unit series 2 components

ZEPHYR VALVE SERIES 3							
ITEM	DESCRIPTION	No. off	Code Numbers/Valve Sizes				
			1½ in.	2 in.	2½ in.	3 in.	4 in.
SERIES 2 CONTROL UNIT COMPONENTS							
1	Base	1	400605	400605	400605	400605	400605
2	Plug, Plastic, for 1/8 in. BSP hole, to suit-						
(1)	Air above Zephyr valve piston	2	424371	424371	424371	424371	424371
(2)	Air below Zephyr valve piston	1	424371	424371	424371	424371	424371
(3)	Air above and below Zephyr valve piston	1	-	-	-	-	-
(4)	Arrangement without solenoid valves	4	424371	424371	424371	424371	424371
3	Plug, Plastic, for M4 hole	1	424369	424369	424369	424369	424369
4	Cover	1	404820	404820	404820	404820	404820
5	Seal Ring for Cover	1	459196	459196	459196	459196	459196
6	Slide Housing for Microswitches	1	410801	410801	410801	410801	410801
7	Carrier for Microswitch	2	447901	447901	447901	447901	447901
8	Microswitch	2	438059	438059	438059	438059	438059
9	Actuator Leaf for Microswitch	2	446208	446208	446208	446208	446208
10	Screw, Round Head BBA x 3/8 in. long	4	432445	432445	432445	432445	432445
11	Adjusting Screw for Microswitch	2	434281	434281	434281	434281	434281
12	O-Ring Seal for Microswitch Adjusting Screw	2	427502	427502	427502	427502	427502
13	Screw, Slotted Pan Head, Self Tapping	2	434291	434291	434291	434291	434291
14	Plug, Plastic	1	424368	424368	424368	424368	424368
15	Support Post, 8mm Diameter	1	447906	447906	447906	447906	447906

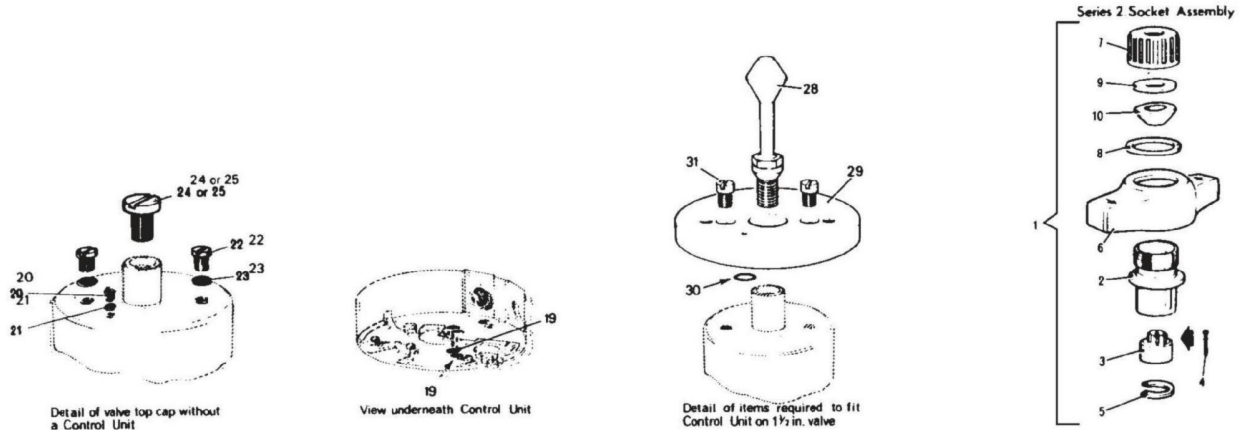
ZEPHYR VALVE SERIES 3							
ITEM	DESCRIPTION	No. off	Code Numbers/Valve Sizes				
			1½ in.	2 in.	2½	3 in.	4 in.
SERIES 2 CONTROL UNIT COMPONENTS (contd)							
16	Support Post, 6mm Diameter	1	447903	447903	447903	447903	447903
17	Nut, Hex. M6 (for transit and storage only)	2	419726	419726	419726	419726	419726
18	Screw, Slotted Countersunk Head	2	434285	434285	434285	434285	434285
19	Plug ass'y of Electrical Connector Comprising:-	1	408138	408138	408138	408138	408138
20	Plug Body	1	-	-	-	-	-
21	Locknut	2	-	-	-	-	-
22	Washer Rubber	1	-	-	-	-	-
23	Plug Seal	1	-	-	-	-	-
24	Pin	7	-	-	-	-	-
25	Cable Cover	1	-	-	-	-	-
26(a)	Solenoid Pilot Valve 24V DC (coil identification - red) to suit:-						
(1)	Air above Zephyr valve piston	1	441979	441979	441979	441979	441979
(2)	Air below Zephyr valve piston	1	441979	441979	441979	441979	441979
(3)	Air above and below Zephyr valve piston	2	441979	441979	441979	441979	441979
26(b)	Solenoid Pilot Valve 110V 50 Hz Single Phase AC (coil identification - green) to suit:-						
(1)	Air above Zephyr valve piston	1	441980	441980	441980	441980	441980
(2)	Air below Zephyr valve piston	1	441980	441980	441980	441980	441980
(3)	Air above and below Zephyr valve piston	2	441980	441980	441980	441980	441980
27	Nut	1	-	-	-	-	-
28	Washer	1	-	-	-	-	-
29	Coil (For code No. details, as spares item, see below)	1	-	-	-	-	-
30	Cover	1	-	-	-	-	-
31	Setscrew	4	-	-	-	-	-
32	Sleeve	1	-	-	-	-	-
33	'C' Ring	1	-	-	-	-	-
34	Washer	1	-	-	-	-	-
35	Spring	1	-	-	-	-	-
36	Piston	1	-	-	-	-	-
37	Body	1	-	-	-	-	-
38	Screw, Slotted Cheese Head for Solenoid valve Mounting to suit:-						
(1)	Air above Zephyr valve piston	2	434293	434293	434293	434293	434293
(2)	Air below Zephyr valve piston	2	434293	434293	434293	434293	434293
(3)	Air above and below Zephyr valve piston	4	434293	434293	434293	434293	434293
(4)	Arrangement without solenoid valves	2	434293	434293	434293	434293	434293
39	Banjo Union assy for 6mm tube	1	438744	438744	438744	438744	438744
40	O-Ring Seal (Solenoid Valve Mounting) to suit:-						
(1)	Air above Zephyr valve piston	3	426577	426577	426577	426577	426577
(2)	Air below Zephyr valve piston	3	426577	426577	426577	426577	426577
(3)	Air above and below Zephyr valve piston	4	426577	426577	426577	426577	426577
(4)	Arrangement without solenoid valves	3	426577	426577	426577	426577	426577
41	Air Loop, Interior, (For double air operation)	1	440254	440254	440254	440254	440254
42	Adapter 1/8 x 1/8 in. BSP Female	1	315333	315333	315333	315333	315333
43	Stud Coupling, 1/8 in. BSP male to 6mm tube to suit:-						
(1)	Air above Zephyr valve piston	2	406320	406320	406320	406320	406320
(2)	Air below Zephyr valve piston	3	406320	406320	406320	406320	406320
(3)	Air above and below Zephyr valve piston	4	406320	406320	406320	406320	406320
(4)	Arrangement without solenoid valves	-	-	-	-	-	-
44	Seal, Nylon	1	459635	459635	459635	459635	459635
45	Cable Positioner	1	408151	408151	408151	408151	408151
46	Plug, Legris push-in (For item 43 when only one solenoid valve fitted)	1	424381	424381	424381	424381	424381
47	Blank for Unit Arranged without Solenoid Valves	1	302709	302709	302709	302709	302709
48	Earth Lead 19/006 Cable, Green x 4 in. long	1	182431	182431	182431	182431	182431
49	Tag Connection for Earth Lead, Ampiversal Ring Tongue Type 34113	1	408152	408152	408152	408152	408152
50	Helvin Plain Sleeve, Green P20 x 10mm Long	1	408115	408115	408115	408115	408115
51	Helvin Plain Sleeve, Blue P40 x 10mm Long	1	408145	408145	408145	408145	408145
52	Helvin Plain Sleeve, Red P20 x 10mm Long	1	408118	408118	408118	408118	408118
53	Cap, Plastic for Electrical Connector (plug)	1	404639	404639	404639	404639	404639
*	Coil, for Solenoid Valve (as spares item)						
	24V, DC	-	404452	404452	404452	404452	404452
	110V, 50Hz, Single Phase AC	-	404453	404453	404453	404453	404453

Not Illustrated

APV Zephyr Valve Series 3 - Installation Packs



Series 2 Control Unit with Legris type air-line fittings



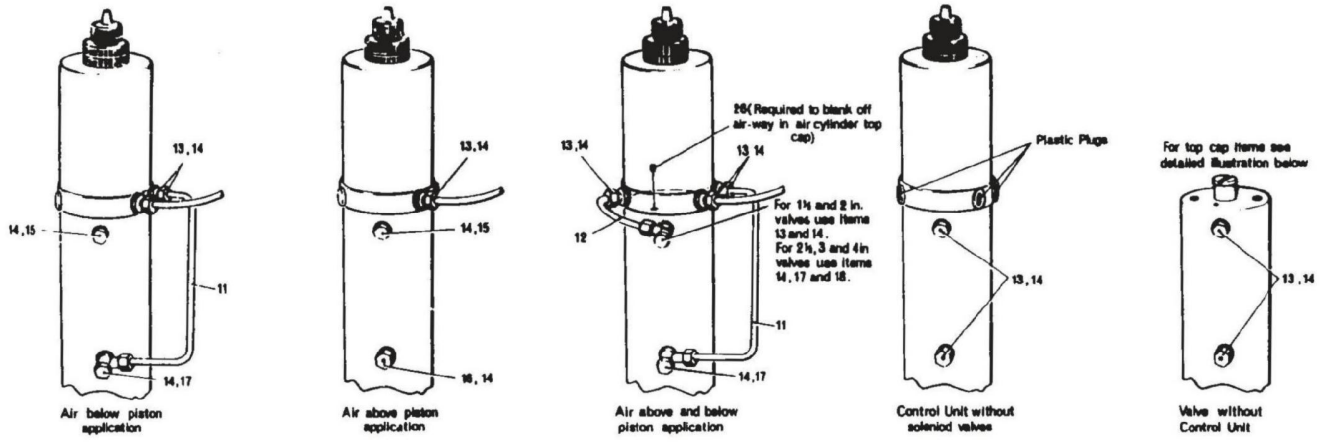
Installation pack components for series 2 control unit with Legris air-line fittings

ZEPHYR VALVE SERIES 3							
ITEM	DESCRIPTION	No. off	Code Numbers/Valve Sizes				
			1 1/2 in.	2 in.	2 1/2 in.	3 in.	4 in.
-	INSTALLATION PACKS FOR EACH VALVE SIZE AND APPLICATION (Series 2 Control Unit)						
-	Packs for AIR ABOVE PISTON application comprising:-	1 Pack	249322	249325	249325	249325	249325
1	* Portable Socket assy	1	408227	408227	408227	408227	408227
14	Seal, Nylite M10	2	459635	459635	459635	459635	459635
15	Blanking Screw Plug	1	434282	434282	434282	434282	434282
16	Blanking Screw Plug, Vented	1	434292	434292	434292	434292	434292
19	O-Ring	1	426577	426577	426577	426577	426577
28	Shaft Extension, Plastic	1	407701	407700	407700	407700	407700
29	Adaptor Plate	1	457822	-	-	-	-
30	O-Ring	1	426410	-	-	-	-
31	Machine Screw, Slotted cheese head M6 x 8mm	2	434284	-	-	-	-

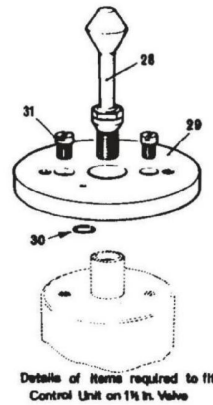
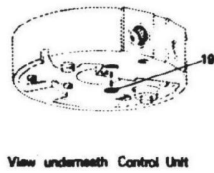
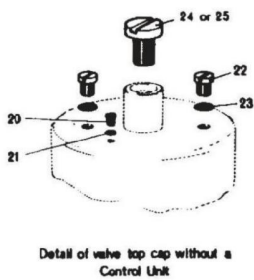
ZEPHYR VALVE SERIES 3							
ITEM	DESCRIPTION	No. off	Code Numbers/Valve Sizes				
			1½ in.	2 in.	2½ in.	3 in.	4 in.
-	Packs for AIR BELOW PISTON application comprising:-	1 Pack	249323	249326	249328	249330	249332
1	* Portable Socket assy	1	408227	408227	408227	408227	408227
11	Air-line, Air Below Piston Loop	1	440249	440248	440247	440246	440245
14	Seal, Nylite M10	2	459635	459635	459635	459635	459635
15	Blanking Screw Plug	1	434282	434282	434282	434282	434282
13	Stud Coupling, Special ½ in. BSP Parallel to 6mm o. d. Tube	1	406320	406320	406320	406320	406320
19	O-Ring	1	426577	426577	426577	426577	426577
27	Plug, Plastic for Air Connection (Not Illustrated)	1	424382	424382	424382	424382	424382
28	Shaft Extension, Plastic	1	407701	407700	407700	407700	407700
29	Adaptor Plate	1	457822	-	-	-	-
30	O-Ring	1	426410	-	-	-	-
31	Machine Screw, Slotted cheese head M6 x 8mm	2	434284	-	-	-	-
-	Packs for AIR ABOVE AND BELOW PISTON application comprising:-	1 Pack	249324	249327	249327	249331	249333
1	* Portable Socket assy	1	408227	408227	408227	408227	408227
11	Air-line, Air Below Piston Loop	1	440249	440248	440247	440246	440245
12	Air-line, Double Air Loop	1	440252	440252	440251	440251	440250
13	Stud Coupling, Special ½ in. BSP Parallel to 6mm o. d. Tube	2	406320	406320	406320	406320	406320
14	Seal, Nylite M10	2	459635	459635	459635	459635	459635
19	O-Ring	1	426577	426577	426577	426577	426577
27	Plug, Plastic for Air Connection (Not Illustrated)	2	424382	424382	424382	424382	424382
28	Shaft Extension, Plastic	1	407701	407700	407700	407700	407700
29	Adaptor Plate	1	457822	-	-	-	-
30	O-Ring	1	426410	-	-	-	-
31	Machine Screw, Slotted Cheese Head M6 x 8mm	2	434284	-	-	-	-
26	Set Screw, M4 x 0.7 Plain Hollow Cup	1	446040	446040	446040	446040	446040
-	Packs for ALL APPLICATIONS of Valves Fitted with Control Units without Solenoid Valves.	1 Pack	249334	249335	249335	249335	249335
1	* Portable Socket assy	1	408227	408227	408227	408227	408227
13	Stud Coupling, Special ½ in. BSP Parallel to 6mm o. d. Tube	2	406320	406320	406320	406320	406320
14	Seal, Nylite M10	2	459635	459635	459635	459635	459635
19	O-Ring	1	426577	426577	426577	426577	426577
27	Plug, Plastic for Air Connection	2	424382	424382	424382	424382	424382
28	Shaft Extension, Plastic	1	407701	407700	407700	407700	407700
29	Adaptor Plate	1	457822	-	-	-	-
30	O-Ring	1	426410	-	-	-	-
31	Machine Screw, Slotted cheese head M6 x 8mm	2	434284	-	-	-	-
-	Packs for ALL APPLICATIONS of Valves Fitted without Control Units	1 Pack	249336	249337	249337	249337	249337
14	Seal, Nylite M10	2	459635	459635	459635	459635	459635
13	Stud Coupling, Special male	2	406320	406320	406320	406320	406320
20	Machine Screw, Slotted Pan Head M4 x 6mm	1	434286	434286	434286	434286	434286
21	Washer, Fibre M4	1	444145	444145	444145	444145	444145
22	Machine Screw, Slotted Pan Head M6 x 6mm	2	434287	434287	434287	434287	434287
23	Washer, Fibre M6	2	444146	444146	444146	444146	444146
24	Screw, Nylon Cheese Head ¾ in. BSF x ¾ in. long	1	434268	-	-	-	-
25	Screw, Nylon Cheese Head ½ in. BSF x ½ in. long	1	-	434269	434269	434269	434269
-	* Details of Portable Socket Assembly for Electrical Connector on Series 2 Control Unit	1 Pack					
1	Portable Socket assy	1	408227	408227	408227	408227	408227
2	Inner Body	1	-	-	-	-	-
3	Socket Carrier	1	-	-	-	-	-
4	Contact Pin, Crimp Type	7	-	-	-	-	-
5	Circlip, Plastic	1	-	-	-	-	-
6	Wing Nut	1	-	-	-	-	-
7	Small Nut	1	-	-	-	-	-
8	Rubbing Washer	1	-	-	-	-	-
9	Rubbing Washer	1	-	-	-	-	-
10	Cable Seals	1	-	-	-	-	-



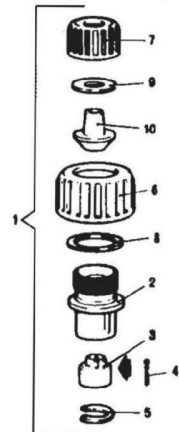
Zephyr Valve Series 3 - Installation Packs (contd)



Series 1. Control Unit with Wade type air-line fittings



Series 1. Socket Assembly



Installation pack components for series 1 control unit with Wade air-line fittings

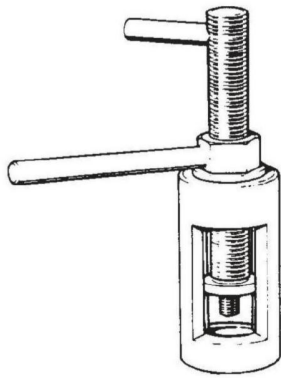
ZEPHYR VALVE SERIES 3							
ITEM	DESCRIPTION	No. off	Code Numbers/Valve Sizes				
			1 1/2 in.	2 in.	2 1/2	3 in.	4 in.
-	INSTALLATION PACKS FOR EACH VALVE SIZE AND APPLICATION (Series 1 Control Unit)						
-	Packs for AIR ABOVE PISTON application comprising:-	1 Pack	249300	249303	249306	249309	249312
1	* Portable Socket assy	1	408153	408153	408153	408153	408153
13	Wade Stud Coupling, Male 1/8 in. BSP Parallel	1	406318	406318	406318	406318	406318
14	Washer, Fibre 5/16 in. o. d. x 23/64 i. d. x 3/32 in. thick	3	444149	444149	444149	444149	444149
15	Blanking Screw Plug	1	434282	434282	434282	434282	434282
16	Blanking Screw Plug, Vented	1	434292	434292	434292	434292	434292
19	O-Ring	1	426577	426577	426577	426577	426577
28	Shaft Extension, Plastic	1	407701	407700	407700	407700	407700
29	Adaptor Plate	1	457822	-	-	-	-
30	O-Ring	1	426410	-	-	-	-
31	Machine Screw, Slotted Cheese Head M6 x 8mm	2	434284	-	-	-	-

ZEPHYR VALVE SERIES 3							
ITEM	DESCRIPTION	No. off	Code Numbers/Valve Sizes				
			1 1/2 in.	2 in.	2 1/2 in.	3 in.	4 in.
-	Packs for AIR BELOW PISTON application comprising:-	1 Pack	249301	249304	249307	249310	249313
1	* Portable Socket assy	1	408153	408153	408153	408153	408153
11	Air-line, Air Below Piston Loop	1	440239	440237	440235	440233	440231
13	Wade Stud Coupling, Male 1/8 in. BSP Parallel	2	406318	406318	406318	406318	406318
14	Washer, Fibre 5/8 in. o. d. x 29/64 in. d. x 3/32 in. thick	4	444149	444149	444149	444149	444149
15	Blanking Screw Plug	1	434282	434282	434282	434282	434282
17	Banjo Coupling 1/8 in. BSP for 6mm o. d. Air-Line	1	400179	400179	400179	400179	400179
19	O-Ring	1	426577	426577	426577	426577	426577
27	Cap, Plastic for Air Connection (Not Illustrated)	2	424374	424374	424374	424374	424374
28	Shaft Extension, Plastic	1	407701	407700	407700	407700	407700
29	Adaptor Plate	1	457822	-	-	-	-
30	O-Ring	1	426410	-	-	-	-
-	Packs for AIR ABOVE and BELOW PISTON application comprising:-	1 Pack	249302	249305	249308	249311	249314
1	* Portable Socket assy	1	408153	408153	408153	408153	408153
11	Air-line, Air Below Piston Loop	1	440239	440237	440235	440233	440231
12	Air-line, Double Air Loop	1	440244	440244	440243	440243	440242
13	Wade Stud Coupling, Male 1/8 in. BSP Parallel	4	406318	406318	-	-	-
13	Wade Stud Coupling, Male 1/8 in. BSP Parallel	3	-	-	406318	406318	406318
14	Washer, Fibre 5/8 in. o. d. x 29/64 in. d. x 3/32 in. thick	5	444149	444149	444149	444149	444149
17	Banjo Coupling 1/8 in. BSP for 6mm o. d. Air-Line	1	400179	400179	400179	-	-
17	Banjo Coupling 1/8 in. BSP for 6mm o. d. Air-Line	2	-	-	-	400179	400179
18	Adaptor for Banjo Item 17	1	-	-	200225	200225	200225
19	O-Ring	1	426577	426577	426577	426577	426577
26	Set Screw, M4 x 0.7 Plain Cup Hollow	1	446040	446040	446040	446040	446040
27	Cap, Plastic for Air Connection (Not Illustrated)	2	424374	424374	424374	424374	424374
28	Shaft Extension, Plastic	1	407701	407700	407700	407700	407700
29	Adaptor Plate	1	457822	-	-	-	-
30	O-Ring	1	426410	-	-	-	-
31	Machine Screw, Slotted Cheese Head M6 x 8mm	2	434284	-	-	-	-
-	Packs for ALL APPLICATIONS of Valves Fitted with Control Units without Solenoid Valves.	1 Pack	249316	249317	249317	249317	249317
1	* Portable Socket assy	1	408153	408153	408153	408153	408153
13	Wade Stud Coupling, Male 1/8 in. BSP Parallel	2	406318	406318	406318	406318	406318
14	Washer, Fibre 5/8 in. o. d. x 29/64 in. d. x 3/32 in. thick	2	444149	444149	444149	444149	444149
19	O-Ring	1	426577	426577	426577	426577	426577
28	Shaft Extension	1	407701	407700	407700	407700	407700
29	Adaptor Plate	1	457822	-	-	-	-
30	O-Ring	1	426410	-	-	-	-
31	Machine Screw, Slotted Cheese Head M6 x 8mm	2	434284	-	-	-	-
-	Packs for ALL APPLICATIONS of Valves Fitted without Control Units	1 Pack	249315	249318	249318	249318	249318
13	Wade Stud Coupling, Male 1/8 in. BSP Parallel	2	406318	406318	406318	406318	406318
14	Washer, Fibre 5/8 in. o. d. x 29/64 in. d. x 3/32 in. thick	2	444149	444149	444149	444149	444149
20	Machine Screw, Slotted Pan Head M4 x 6mm	1	434286	434286	434286	434286	434286
21	Washer, Fibre M4	1	444145	444145	444145	444145	444145
22	Machine Screw, Slotted Pan Head M6 x 6mm	2	434287	434287	434287	434287	434287
23	Washer, Fibre M6	2	444146	444146	444146	444146	444146
24	Screw, Nylon Cheese Head 3/8 in. BSF x 3/8 in. long	1	434268	-	-	-	-
25	Screw, Nylon Cheese Head 1/2 in. BSF x 1/2 in. long	1	434269	434269	434269	434269	434269
-	* Details of Portable Socket Assembly for Electrical Connector on Series 1 Control Unit	1 Pack	408153	408153	408153	408153	408153
1	Portable Socket assy	1	-	-	-	-	-
2	Inner Body	1	-	-	-	-	-
3	Socket Carrier	1	-	-	-	-	-
4	Contact Pin, Crimp Type	7	-	-	-	-	-
5	Circlip, Plastic	1	-	-	-	-	-
6	Large Nut	1	-	-	-	-	-
7	Small Nut	1	-	-	-	-	-
8	Rubbing Washer	1	-	-	-	-	-
9	Rubbing Washer	1	-	-	-	-	-
10	Cable Seal (use one only, discard remainder) For Cable Seal 0.25 in. dia. bore - No Mark For Cable Seal 0.30 in. dia. bore - White Mark For Cable Seal 0.35 in. dia. bore - Red Mark	3	-	-	-	-	-

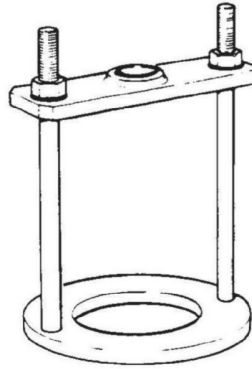
 **Zephyr Valve Series 3**

ZEPHYR VALVE SERIES 3							
ITEM	DESCRIPTION	No. off	Code Numbers/Valve Sizes				
			1 1/2 in.	2 in.	2 1/2	3 in.	4 in.
	APV Spare Packs for Zephyr Valve, Series 3 † Fig/Item shown on this Spares Pack list indicates the ports List Fig followed by the item number thereon for each spare.						
14/9	Spares Pack for all types of Zephyr Valve Series 3 Air Cylinder	1	245286	245281	245287	245284	245285
	O-Ring seal (Top Bearing Housing)	1	426597	-	-	-	-
	2 1/4 in. i.d. x 2 1/4 in. o.d.	1	-	426569	-	-	-
	3 1/4 in. i.d. x 3 1/2 in. o.d.	1	-	-	426819	426819	-
	4 1/4 in. i.d. x 4 1/2 in. o.d.	1	-	-	-	-	426894
	5 1/2 in. i.d. x 5 3/4 in. o.d.	1	-	-	-	-	-
14/14	O-Ring seal (Piston/Cylinder)	1	426597	-	-	-	-
	Flexipac seal (Piston/Cylinder)	1	-	427886	-	-	-
	2 1/2 in. o.d.	1	-	-	427887	427887	-
	4 1/2 in. o.d.	1	-	-	-	-	459131
	5 3/4 in. o.d.	1	-	-	-	-	-
14/15	O-Ring seal (Shaft)	3	426531	-	-	-	-
21&22		3	-	426542	426542	-	-
	5/8 in. i.d. x 1 1/8 in. o.d.	3	-	-	-	426463	-
	3/4 in. i.d. x 1 1/4 in. o.d.	1	-	-	-	-	426463
	7/8 in. i.d. x 1 3/8 in. o.d.	2	-	-	-	-	426895
	1 in. i.d. x 1 1/2 in. o.d.	4	405842	-	-	-	-
14/20	Circlip (Shaft) External Type,	4	-	405839	405839	-	-
	1/2 in. dia. (Anderton 1500-E-396)	4	-	-	-	405840	-
	5/8 in. dia. (Anderton 1500-E-485)	4	-	-	-	-	-
	7/8 in. dia. (Anderton 1500-E-586)	4	-	-	-	-	-
	1 in. dia. (Anderton 1500-E-743)	4	-	-	-	-	405841
	Spares Pack for Control Unit assy	1	223303	223303	223303	223303	223303
18/5	Seal Ring for Cover	1	459196	459196	459196	459196	459196
18/36	O-Ring seal (solenoid valve mounting)	5	426577	426577	426577	426577	426577
20/30	O-Ring seal (adaptor plate mounting)	1	426410	426410	426410	426410	426410
	Spares Pack for microswitch used in Control Unit	1	223302	223302	223302	223302	223302
18/8	Microswitch 6 in. lead, 1/4 in. finned end	1	438059	438059	438059	438059	438059
18/9	Actuator Leaf for Microswitch	1	446208	446208	446208	446208	446208
18/12	O-Ring seal (microswitch adjusting screw) 3/16 in. i. d. x 2 1/4 in. o. d.	1	427502	427502	427502	427502	427502
	Spares pack for electrical connector assy	1	408224	408225	408225	408225	408225
18/23	Plug Seal	1	-	-	-	-	-
20/5	Circlip, plastic	1	-	-	-	-	-
20/10	Cable Seal	1	-	-	-	-	-
20/7	Washer	1	-	-	-	-	-
	Spares pack for electrical connector pins abd sockets	1	408142	408142	408142	408142	408142
18/24	Contact pin, soldered type	7	-	-	-	-	-
20/4	Contact pin, crimp type	7	-	-	-	-	-
	Spares pack for electrical connector plug assy	1	408155	408155	408155	408155	408155
18/22	Washer, rubber	1	-	-	-	-	-
18/25	Cable cover	1	-	-	-	-	-

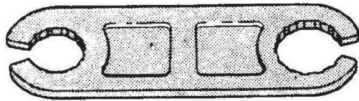
 **Zephyr Valve Series 3 - Special Tools**



1



2



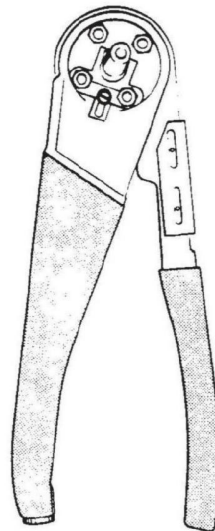
3



4



5



6



7

ZEPHYR VALVE SERIES 3							
ITEM	DESCRIPTION	No. off	Code Numbers/Valve Sizes				
			1 1/2 in.	2 in.	2 1/2	3 in.	4 in.
1	Air Cylinder Assembly Tool	1	219079	219080	219080	219080	219080
2	Spring Compression Tool	1	219073	219074	219075	219076	219077
3	Spanner for Electrical Connector	1	438980	438980	438980	438980	438980
4	Cutting Tool for Air Line	1	439764	439764	439764	439764	439764
5	Removal Tool for Contact Pins and Sockets	1	439747	439747	439747	439747	439747
6	Hand Crimping Tool (for use on socket leads only)	1	439716	439716	439716	439716	439716
7	Removal Tool for Air Line	1	439763	439763	439763	439763	439763