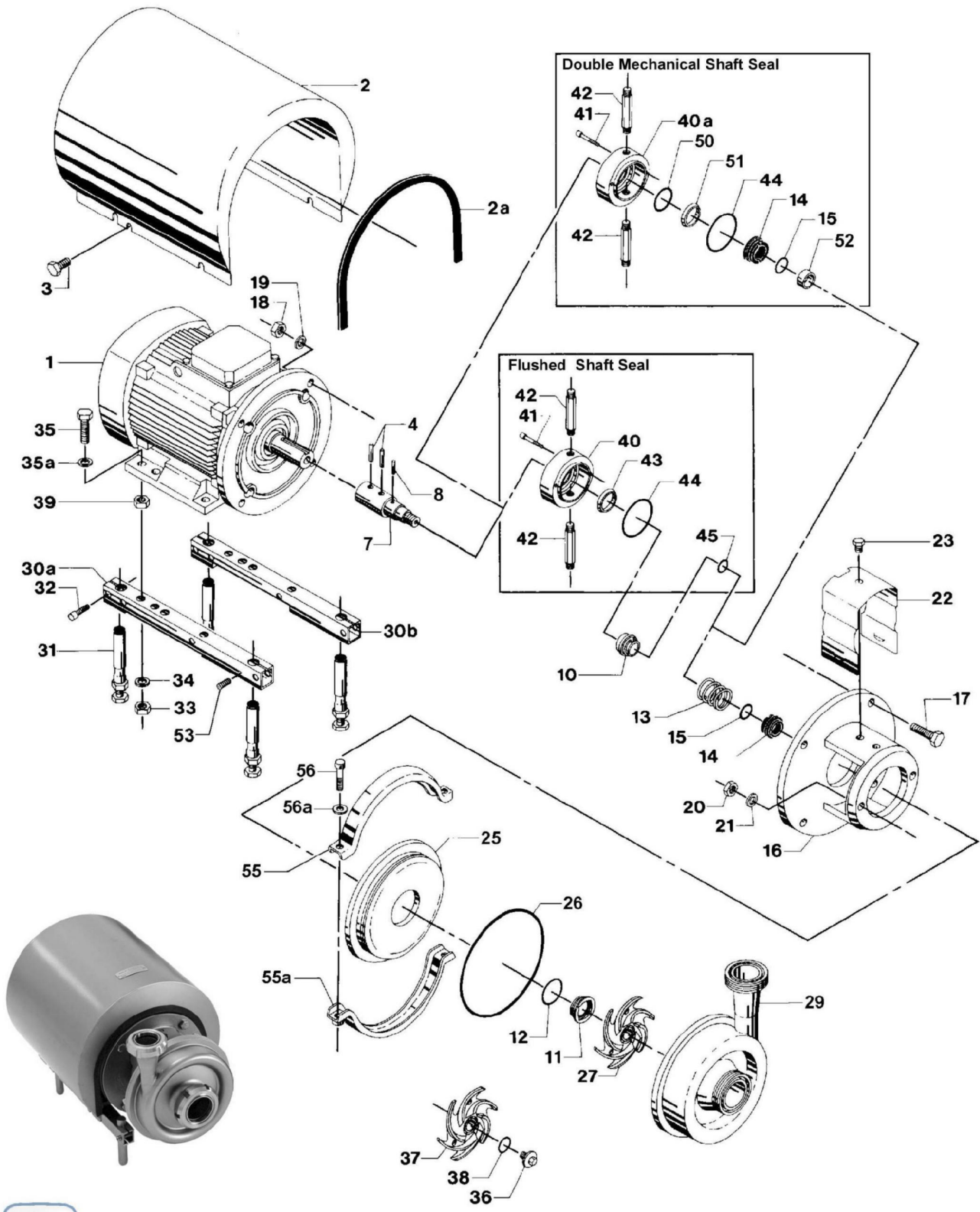


Centrifugal Pump, Type LKH-5
 Single, flushed and double mechanical shaft seal



Centrifugal Pump, Type LKH-5
 Single, flushed and double mechanical shaft seal



Pos.	Qty.	Denomination	0.75-1.1 kW	1.5-2.2 kW
3	4	Screw	9611-99-3240	9611-99-3240
2	1	Shroud	9612-1390-26	9612-1390-01
2a	1	Edge list (included in pos.2)		
4	2	Screw	9612-5875-01	9612-5875-02
7	1	Shaft and pin (pos.8)	9612-5881-01	9612-5882-01
8	1	Connex pin	9611-99-0622	9611-99-0622
10	1	Drive ring, Single shaft seal	9612-1377-01	9612-1377-01
	1	Drive ring, Flushed shaft seal	9612-1397-01	9612-1397-01
16	1	Adaptor	9612-5879-01	9612-5879-01
17	4	Screw for adaptor	9611-99-1911	9611-99-1911
18	4	Nut for adaptor	9611-99-0353	9611-99-0353
19	4	Washer for adaptor	9611-99-1887	9611-99-1887
20	2	Nut	9611-99-0360	9611-99-0360
21	2	Washer	9611-99-1831	9611-99-1831
22	1	Safety guard	9612-5939-01	9612-5939-01
23	1	Screw for safety guard	9611-99-3239	9611-99-3239
56	2	Screw	9611-99-1126	9611-99-1126
56a	2	Spring washer	9611-99-1888	9611-99-1888
55	1	Upper clamp	9612-5895-02	9612-5895-02
55a	1	Lower clamp	9612-5896-02	9612-5896-02
25	1	Back plate	9612-1384-28	9612-1384-28
26□◆○*◆◆	1	O-ring, EPDM, (standard)	9611-99-3560	9611-99-3560
	1	O-ring, NBR	9611-99-3561	9611-99-3561
	1	O-ring, FPM	9611-99-3562	9611-99-3562
	1	O-ring, FEP	9611-99-3563	9611-99-3563
27	1	Impeller	9612-5876-01	9612-5876-01
29	1	Pump casing, IDF	9612-4924-25	9612-4924-25
	1	Pump casing, SMS	9612-4924-26	9612-4924-26
	1	Pump casing, DIN	9612-4924-27	9612-4924-27
	1	Pump casing, ISO	9612-4924-28	9612-4924-28
	1	Pump casing, BS	9612-4924-29	9612-4924-29
	1	Pump casing, DS	9612-4924-30	9612-4924-30
	1	Pump casing, flange	9612-1380-14	9612-1380-14
Legs				
30a	1	Support bar, right	9612-1322-01	9612-1322-01
30b	1	Support bar, left	9612-1323-01	9612-1323-01
31	4	leg	9612-3967-01	9612-3967-01
32	4	Screw	9611-99-1126	9611-99-1126
33	4	Nut	9611-99-0360	9611-99-0360
34	4	Spring washer	9611-99-1888	9611-99-1888
35	4	Screw	221036-03	9611-99-1176
35a	4	Washer	9611-99-1831	9611-99-1831
39	4	Nut	9611-99-0353	9611-99-0353
Alternatives				
36	1	Impeller screw	9612-3627-01	9612-3627-01
37	1	Impeller for impeller screw	9612-5876-02	9612-5876-02
38◆◆◆	1	O-ring EPDM	9611-99-2750	9611-99-2750
	1	O-ring NBR	9611-99-2751	9611-99-2751
	1	O-ring FPM	9611-99-2752	9611-99-2752
	1	O-ring FEP	9611-99-3539	9611-99-3539

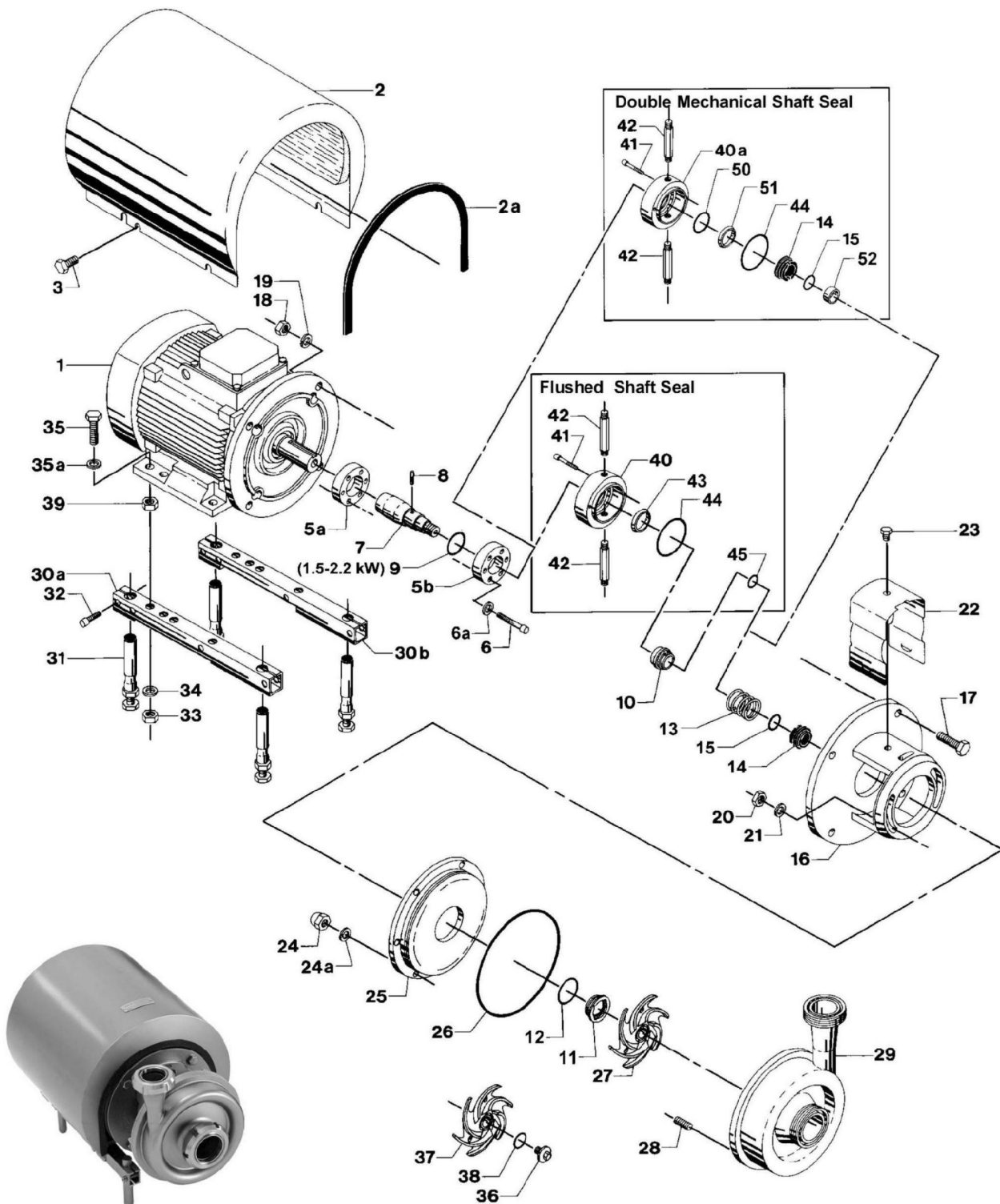
Recommended Spare Parts: Service kits.
 9000010

Pos.	Qty.	Denomination	0.75kW	1.1kW	1.5kW	2.2kW
1	1	Motor, M2AA**	9612-4028-38	31801-2062-1	31801-1982-1	31801-1983-1
	1	Motor, M2AA***	9612-4028-39	31801-2062-2	31801-1982-2	31801-1983-2
**	3 ~,	50 Hz, 220-240VΔ/380-420VY - Standard				
***	3 ~,	50 Hz, 380-420VΔ/660-690VY - Option				
	3 ~,	60 Hz, 250-280VΔ/440-480VY - Standard				
		3 ~, 60 Hz, 440-480VΔ - Option				
Conversion kit, single to flushed shaft seal 9611-92-2042 = Pos. 10+40b+41+42+43+44+45						
Conversion kit, single to double mechanical shaft seal 9611-92-2175 = Pos. 14+15+40a+41+42+44+50+51+52						
Conversion kit, flushed to double mechanical shaft seal 9611-92-2176 = Pos. 14+40a+50+51+52						
Pos.	Qty.	Denomination	0.75-2.2 kW			
Accessories						
	1	Tool complete	9612-1371-01			
Parts for Flushed Shaft Seal						
40	1	Seal housing	9612-1339-01			
41	2	Screw for seal housing	9611-99-0203			
42	2	Tube	9612-3589-01			
Parts for Double Mechanical Shaft Seal						
40a	1	Seal housing	9612-1339-02			
41	2	Screw for seal housing	9611-99-0203			
42	2	Tube	9612-3589-01			
Service kit for single shaft seal						
□		Service kit, EPDM	9611-92-2302			
□		Service kit, NBR	9611-92-2303			
□		Service kit, FPM	9611-92-2304			
□		Service kit, FEP	9611-92-2305			
Service kit for single shaft seal and impeller screw						
◆		Service kit, EPDM	9611-92-2306			
◆		Service kit, NBR	9611-92-2307			
◆		Service kit, FPM	9611-92-2308			
◆		Service kit, FEP	9611-92-2309			
Service kit for flushed shaft seal						
○		Service kit, EPDM	9611-92-2310			
○		Service kit, NBR	9611-92-2311			
○		Service kit, FPM	9611-92-2312			
○		Service kit, FEP	9611-92-2313			
Service kit for flushed shaft seal and impeller screw						
*		Service kit, EPDM	9611-92-2314			
*		Service kit, NBR	9611-92-2315			
*		Service kit, FPM	9611-92-2316			
*		Service kit, FEP	9611-92-2317			
Service kit for double mechanical shaft seal						
◇		Service kit, EPDM	9611-92-2318			
◇		Service kit, NBR	9611-92-2319			
◇		Service kit, FPM	9611-92-2320			
◇		Service kit, FEP	9611-92-2321			
Service kit for double mechanical shaft seal and impeller screw						
●		Service kit, EPDM	9611-92-2322			
●		Service kit, NBR	9611-92-2323			
●		Service kit, FPM	9611-92-2324			
●		Service kit, FEP	9611-92-2325			
Parts marked with □/◆/○/*/◇/● are included in the service kits.						

Surface roughness, product wetted parts: Ra ≤ 0.8 μm

Pos.	Qty.	Denomination	0.75-1.1kW	1.5-2.2kW
25	1	Back plate	9612-1384-30	9612-1384-30
27	1	Impeller	9612-5876-05	9612-5876-05
29	1	Pump casing, IDF	9612-4925-25	9612-4925-25
	1	Pump casing, SMS	9612-4925-26	9612-4925-26
	1	Pump casing, DIN	9612-4925-27	9612-4925-27
	1	Pump casing, ISO	9612-4925-28	9612-4925-28
	1	Pump casing, BS	9612-4925-29	9612-4925-29
	1	Pump casing, DS	9612-4925-30	9612-4925-30
Alternatives				
36	1	Impeller screw	9612-3627-03	9612-3627-03
37	1	Impeller for impeller screw	9612-5876-06	9612-5876-06

Centrifugal Pump, Type LKH-10 Single, flushed and double mechanical shaft seal



Centrifugal Pump, Type LKH-10
 Single, flushed and double mechanical shaft seal

Pos.	Qty.	Denomination	1.5-2.2 kW	3 kW	4 kW	Pos.	Qty.	Denomination	1.5 kW	2.2 kW	3 kW	4 kW
3	4	Screw	9611-99-3240	9611-99-3240	9611-99-3240	1	1	Motor, M2AA**				9612-4028-07
5a	1	Compression ring with thread	9612-1336-01	9612-1336-02	9612-1336-02	1	1	Motor, MT/MBT***	31801-1982-1	31801-1983-1	31801-1984-1	*31801-1985-1
5b	1	Compression ring without thread	9612-1337-01	9612-1337-02	9612-1337-02	1	1	Motor, M2AA***				9612-4028-09
6	6	Screw	9611-99-3196	9611-99-3196	9611-99-3196	1	1	Motor, MT/MBT***	31801-1982-2	31801-1983-2	31801-1984-2	*31801-1985-2
6a	6	Washer	9611-99-3199	9611-99-3199	9611-99-3199	2	1	Shroud complete	9612-1390-01	9612-1390-01	9612-1390-01	9612-1390-02
7	1	Shaft with internal/external thread and pin (pos.8)		9612-1325-02	9612-1325-02	2a	1	Edge list (included in pos. 2)				
8	1	Shaft with internal/external thread, pin (pos.8) and retaining ring (pos.9)	9612-1324-02			* MBT motor (Period 9009-9310). Not available anymore.						
9	1	Connex pin	9611-99-0622	9611-99-0622	9611-99-0622	** 3 ~, 50 Hz, 220-240V/380-420VY - Standard *** 3 ~, 50 Hz, 380-420V/660-690VY - Option 3 ~, 60 Hz, 250-280V/440-480VY - Standard 3 ~, 60 Hz, 440-480VΔ - Option						
10	1	Retaining ring	9611-99-2307	9612-1377-01	9612-1377-01	Pos. Qty. Denomination 1.5-4 kW Shaft Seal: See page 58 and 59						
16	1	Drive ring, Flushed shaft seal	9612-1397-01	9612-1397-01	9612-1397-01	Accessories						
17	4	Adaptor	9612-3423-01	9612-3424-01	9612-3424-01	1 Tool complete 9612-1371-01						
18	4	Screw for adaptor	9611-99-2161	9611-99-1834	9611-99-1834	Parts for Flushed Shaft Seal						
19	4	Nut for adaptor	9611-99-0353	9611-99-0587	9611-99-0587	40 1 Seal housing 9612-1339-01						
20	4	Washer for adaptor	9611-99-1887	9611-99-0676	9611-99-0676	41 2 Screw for seal housing 9611-99-0203						
21	2	Nut	9611-99-0353	9611-99-0353	9611-99-0353	42 2 Tube 9612-3589-01						
22	2	Washer	9611-99-2559	9611-99-2559	9611-99-2559	Parts for Double Mechanical Shaft Seal						
23	1	Safety guard	9612-1311-05	9612-1311-06	9612-1311-06	40a 1 Seal housing 9612-1339-02						
24	1	Screw for safety guard	9611-99-3239	9611-99-3239	9611-99-3239	41 2 Screw for seal housing 9611-99-0203						
24	6	Cap nut (Period 9211-)	9611-99-2592	9611-99-2592	9611-99-2592	42 2 Tube 9612-3589-01						
25	6	Handle (Period 9211-)	9611-99-2302	9611-99-2302	9611-99-2302	Service kit for single shaft seal						
26	1	Back plate	9612-1384-04	9612-1384-04	9612-1384-04	□ Service kit, EPDM 9611-92-2072						
26	1	O-ring, EPDM, (standard)	9611-99-2137	9611-99-2137	9611-99-2137	□ Service kit, NBR 9611-92-2073						
27	1	O-ring, NBR	9611-99-2139	9611-99-2139	9611-99-2139	□ Service kit, FPM 9611-92-2074						
28	1	O-ring, FPM	9611-99-2138	9611-99-2138	9611-99-2138	□ Service kit, FEP 9611-92-2075						
28	1	O-ring, FEP	9611-99-2140	9611-99-2140	9611-99-2140	Service kit for single shaft seal and impeller screw						
29	1	Impeller	9612-1312-07	9612-1312-01	9612-1312-01	◆ Service kit, EPDM 9611-92-2114						
29	1	Bolt	9611-99-2168	9611-99-2168	9611-99-2168	◆ Service kit, NBR 9611-92-2115						
29	1	Pump casing, IDF	9612-1398-01	9612-1398-01	9612-1398-01	◆ Service kit, FPM 9611-92-2116						
29	1	Pump casing, SMS	9612-1398-02	9612-1398-02	9612-1398-02	◆ Service kit, FEP 9611-92-2117						
29	1	Pump casing, DIN	9612-1398-03	9612-1398-03	9612-1398-03	Service kit for flushed shaft seal						
29	1	Pump casing, ISO	9612-1398-04	9612-1398-04	9612-1398-04	○ Service kit, EPDM 9611-92-2076						
29	1	Pump casing, BS	9612-1398-05	9612-1398-05	9612-1398-05	○ Service kit, NBR 9611-92-2077						
29	1	Pump casing, flange DN65/DN50	9612-1380-01	9612-1380-01	9612-1380-01	○ Service kit, FPM 9611-92-2078						
30a	1	Support bar, right	9612-1322-01	9612-1322-05	9612-1322-05	○ Service kit, FEP 9611-92-2079						
30b	1	Support bar, left	9612-1323-01	9612-1323-05	9612-1323-05	Service kit for flushed shaft seal and impeller screw						
31	4	Leg	9612-3967-01	9612-3967-01	9612-3967-01	* Service kit, EPDM 9611-92-2118						
32	4	Screw (Period 9711-)	9611-99-1125	9611-99-1126	9611-99-1126	* Service kit, NBR 9611-92-2119						
33	4	Screw (Period 9711-)	9611-99-1907	9611-99-1907	9611-99-1907	* Service kit, FPM 9611-92-2120						
34	4	Nut	9611-99-0360	9611-99-0353	9611-99-0353	* Service kit, FEP 9611-92-2121						
34	4	Spring washer	9611-99-1888	9611-99-1887	9611-99-1887	Service kit for double mechanical shaft seal						
35	4	Screw	9611-99-1175	9611-99-1374	9611-99-1374	◇ Service kit, EPDM 9611-92-2206						
35a	4	Washer	9611-99-0786	9611-99-0786	9611-99-0786	◇ Service kit, NBR 9611-92-2207						
39	4	Nut		9611-99-0587		◇ Service kit, FPM 9611-92-2208						
39	4	Nut		9611-99-0587		◇ Service kit, FEP 9611-92-2209						
39	4	Nut		9611-99-0587		Service kit for double mechanical shaft seal and impeller screw						
39	4	Nut		9611-99-0587		● Service kit, EPDM 9611-92-2210						
39	4	Nut		9611-99-0587		● Service kit, NBR 9611-92-2211						
39	4	Nut		9611-99-0587		● Service kit, FPM 9611-92-2212						
39	4	Nut		9611-99-0587		● Service kit, FEP 9611-92-2213						
39	4	Nut		9611-99-0587		Parts marked with □, ◆, ○, ◇, ● are included in the service kits.						
39	4	Nut		9611-99-0587		Recommended Spare Parts: Service kits.						
39	4	Nut		9611-99-0587		Conversion kit, single to flushed shaft seal 9611-92-2042 = Pos. 10+40+41+42+43+44+45						
39	4	Nut		9611-99-0587		Conversion kit, single to double mechanical shaft seal 9611-92-2175 = Pos. 14+15+40a+41+42+44+50+51+52. SIC/SIC = 9611-92-2302						
39	4	Nut		9611-99-0587		Conversion kit, flushed to double mechanical shaft seal 9611-92-2176 = Pos. 14+40a+50+51+52						

Surface roughness, product wetted parts: Ra ≤ 0.8 μm

Pos.	Qty.	Denomination	1.5-2.2 kW	3-4 kW
25	1	Back plate	9612-1384-20	9612-1384-20
27	1	Impeller	9612-1312-15	9612-1312-05
29	1	Pump casing, IDF	9612-4572-01	9612-4572-01
29	1	Pump casing, SMS	9612-4572-02	9612-4572-02
29	1	Pump casing, DIN	9612-4572-03	9612-4572-03
29	1	Pump casing, ISO	9612-4572-04	9612-4572-04
29	1	Pump casing, BS	9612-4572-05	9612-4572-05
36	1	Impeller screw	9612-1396-03	9612-1396-03
37	1	Impeller for impeller screw	9612-1312-16	9612-1312-06