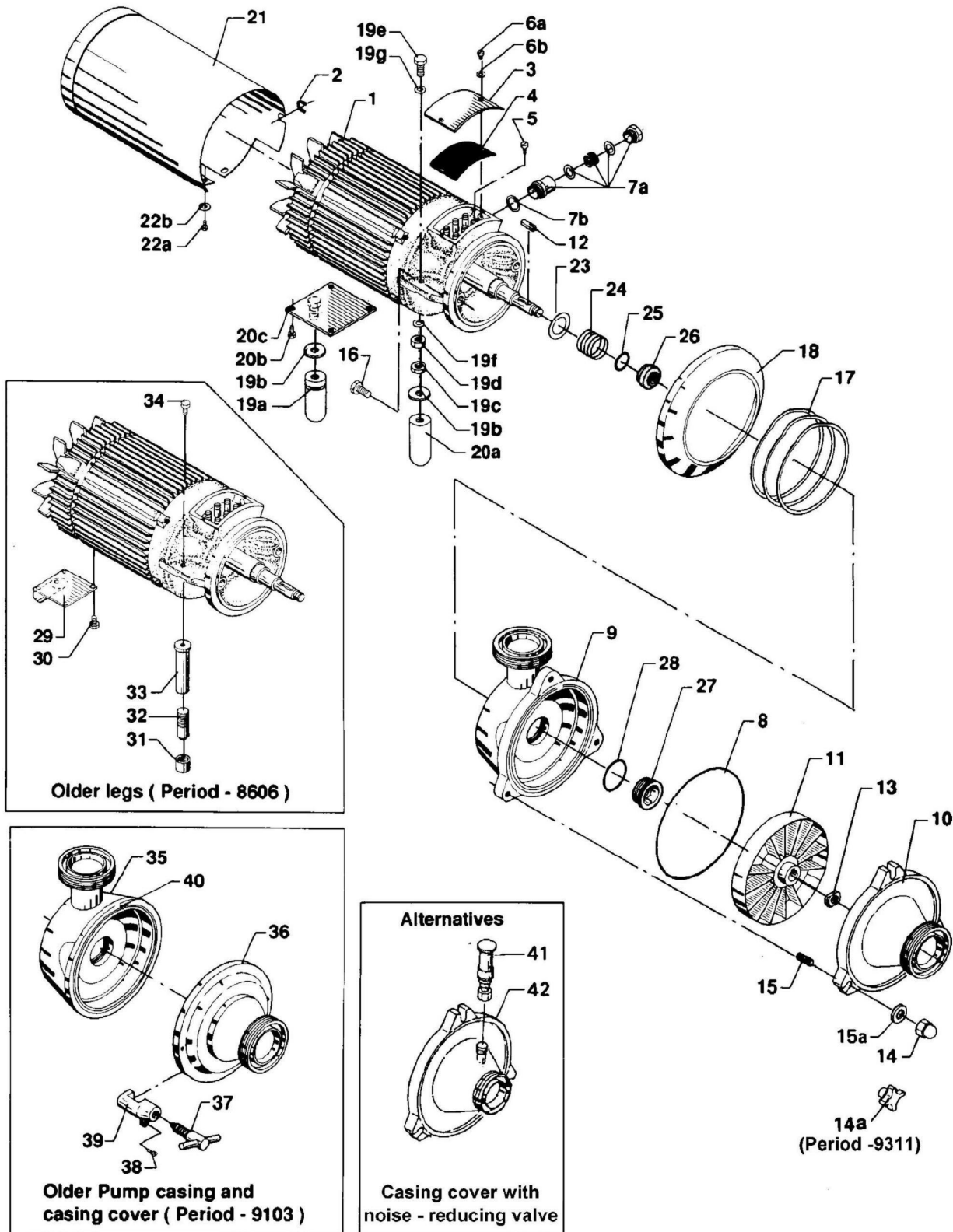


**Liquid Ring Pump
 Type MR-185A & MR-200A**



DW222.003

**Liquid Ring Pump
 Type MR-185A & MR-200A**



Pos.	Qty.	Denomination	MR-185A	MR-200A	Pos.	Qty.	Denomination	MR-185A	MR-200A
1	1	Motor 4 kW 220/380V	31801-1110-1						
	1	Motor 4 kW 230-260/400-440 V	31801-1110-2						
	1	Motor 4 kW 380/660 V	31801-1110-3						
	1	Motor 7.5 kW 220/380V		31801-1112-1					
	1	Motor 7.5 kW 230-260/400-440 V		31801-1112-2					
	1	Motor 7.5 kW 380/660 V		31801-1112-3					
10	1	Casing cover with sanitary fittings. Connections 76 mm							
		ISO male	31438-0392-1	31438-0394-1					
		SMS	31438-0392-2	31438-0394-2					
		DIN	31438-0392-3	31438-0394-3					
		ISO clamp	31438-0392-4	31438-0394-4					
		BS	31438-0392-5	31438-0394-5					
Alternatives									
41	1	Noise-reducing valve complete with ... welding malepart	9612-3641-01	9612-3641-01					
42	1	Casing cover with noise-reducing valve (pos. 41)							
		ISO male	9612-3878-06	9612-3878-11					
		SMS	9612-3878-07	9612-3878-12					
		DIN	9612-3878-08	9612-3878-13					
		ISO clamp	9612-3878-09	9612-3878-14					
		BS	9612-3878-10	9612-3878-15					
Older parts (Period -9103)									
35	1	Pump casing with sanitary fittings. Connections 76 mm							
		ISO male	31438-0221-1	31438-0221-1					
		SMS	31438-0221-2	31438-0221-2					
		DIN	31438-0221-3	31438-0221-3					
		ISO clamp	31438-0221-4	31438-0221-4					
		BS	31438-0221-5	31438-0221-5					
36	1	Casing cover with sanitary fittings. Connections 76 mm							
		ISO male	31438-0219-1	31438-0218-1					
		SMS	31438-0219-2	31438-0218-2					
		DIN	31438-0219-3	31438-0218-3					
		ISO clamp	31438-0219-4	31438-0218-4					
		BS	31438-0219-5	31438-0218-5					
37	2	Clamp screw	31452-0097-1	31452-0097-1					
38	2	Screw	221126-09	221126-09					
39	2	Clamp	31438-0205-1	31438-0205-1					
40	1	Cylindrical pin	222111-13	222111-13					

Pos.	Qty.	Denomination	MR-185A	MR-200A
		Δ Shaft seal, complete, EPDM (Standard)	31438-0206-1	
24	1	Spring	31438-0057-1	
25	1	O-ring	260104-33	
26	1	Rotating seal ring	31438-0056-1	
27	1	Stationary seal ring	31438-0071-1	
28	1	O-ring	260104-34	
		Δ Shaft seal, complete, NBR	31438-0206-2	
24	1	Spring	31438-0057-1	
25	1	O-ring	223406-51	
26	1	Rotating seal ring	31438-0056-1	
27	1	Stationary seal ring	31438-0071-1	
28	1	O-ring	223406-60	
		Δ Shaft seal, complete, FPM	31438-0206-3	
24	1	Spring	31438-0057-1	
25	1	O-ring	260104-39	
26	1	Rotating seal ring	31438-0056-1	
27	1	Stationary seal ring	31438-0071-1	
28	1	O-ring	260104-19	
Alternatives				
		Shaft seal, complete, EPDM SiC./SiC.	31438-0206-4	
24	1	Spring	31438-0057-1	
25	1	O-ring	260104-33	
26	1	Rotating seal ring SiC.	31438-0056-4	
27	1	Stationary seal ring SiC.	31438-0071-2	
28	1	O-ring	260104-34	
		Shaft seal, complete, NBR SiC./SiC.	31438-0206-5	
24	1	Spring	31438-0057-1	
25	1	O-ring	223406-51	
26	1	Rotating seal ring SiC.	31438-0056-4	
27	1	Stationary seal ring SiC.	31438-0071-2	
28	1	O-ring	223406-60	
		Shaft seal, complete, FPM SiC./SiC.	31438-0206-6	
24	1	Spring	31438-0057-1	
25	1	O-ring	260104-39	
26	1	Rotating seal ring SiC.	31438-0056-4	
27	1	Stationary seal ring SiC.	31438-0071-2	
28	1	O-ring	260104-19	
		Δ Service kit, EPDM.	9611-92-1081	
		Δ Service kit, NBR.	9611-92-1082	
		Δ Service kit, FPM.	9611-92-1083	

Parts marked with Δ are included in the Service kits.