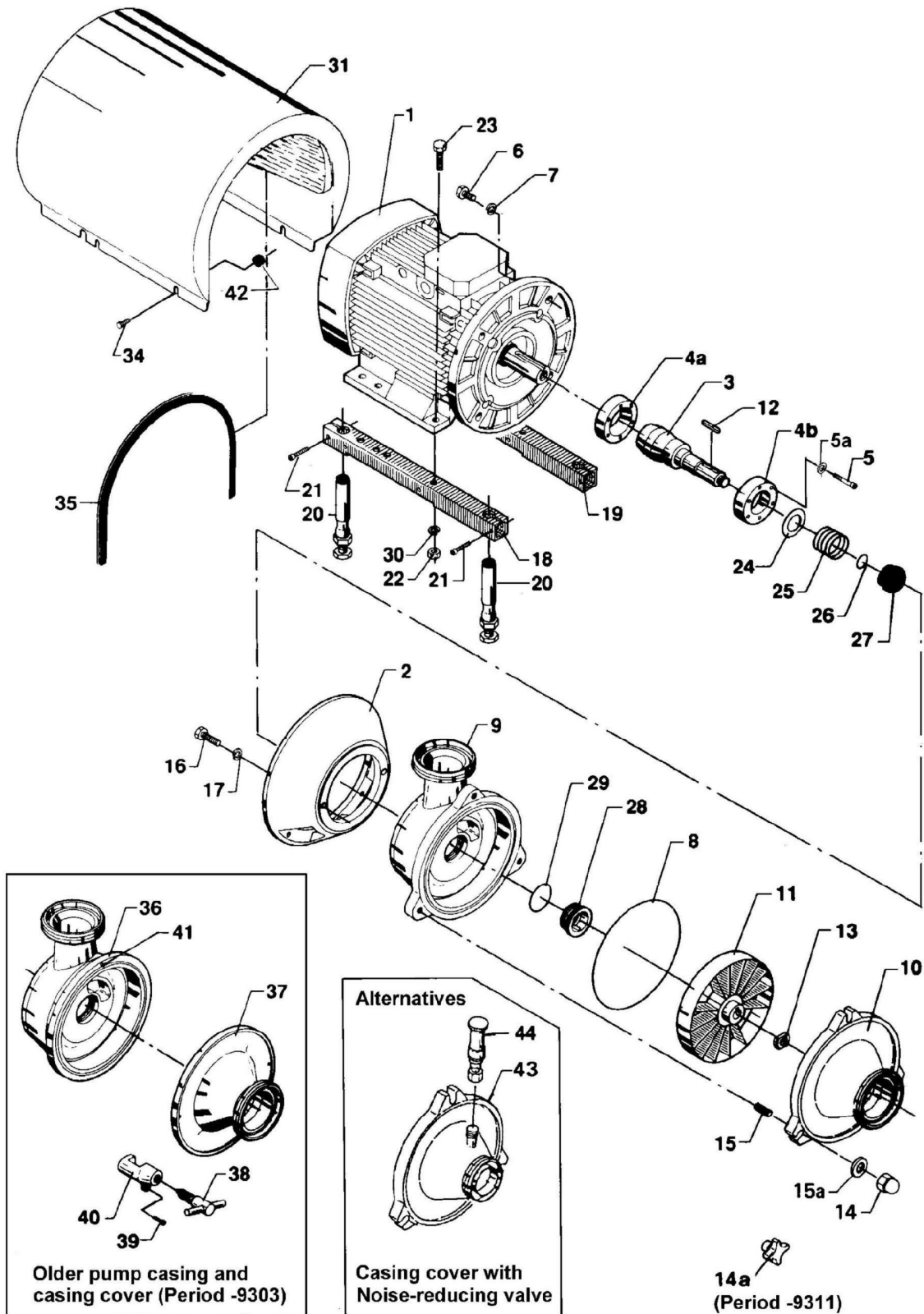


## Liquid Ring Pump Type MR-185S & MR-200S



Liquid Ring Pump  
 Type MR-185S & MR-200S



		MR-185S			MR-185S	MR-200S			MR-185S		
Pos.	Qty.	Denomination	MR-200S	Pos.	Qty.	Denomination	MR-200S	Pos.	Qty.	Denomination	MR-185S
2	1	Bracket	31438-0234-1	1	1	M2AA motor 5.5 kW 220/380V	9612-4028-21	Δ	1	Shaft seal, complete, EPDM (Standard)	31438-0206-1
3	1	Shaft	31438-0236-1			220-240/380-420VD (Period 9310-)		25	1	Spring	31438-0057-1
4a	1	Compression ring	9612-1337-05	1	1	*MBT motor 5.5 kW 220/380V	31801-8508-1	26	1	O-ring	260104-33
4b	1	Compression ring	9612-1336-05			220-240/380-420VD		27	1	Rotating seal ring	31438-0056-1
5	6	Screw	9611-99-3197	1	1	M2AA motor 5.5 kW	9612-4028-23	28	1	Stationary seal ring	31438-0071-1
5a	6	Washer	9611-99-3199			380-420/660 VD (Period 9310-)		29	1	O-ring	260104-34
6	4	Screw	9611-99-1825	1	1	*MBT motor 5.5 kW	31801-8508-3	Δ	1	Shaft seal, complete, NBR	31438-0206-2
7	4	Washer	9611-99-0676			380-420/660 VD		25	1	Spring	31438-0057-1
8Δ	1	O-ring, EPDM (Standard)	31438-0130-4	1	1	M2AA motor 7.5 kW	9612-4028-35	26	1	O-ring	223406-51
	1	O-ring, NBR	31438-0130-1			(Period 9310-)		27	1	Rotating seal ring	31438-0056-1
	1	O-ring, FPM	31438-0130-5	1	1	*MBT motor 7.5 kW	31801-8509-1	28	1	Stationary seal ring	31438-0071-1
9	1	Pump casing with sanitary fittings. Connections 76 mm		1	1	M2AA motor 7.5 kW	9612-4028-37	29	1	O-ring	223406-60
		ISO male	31438-0393-1	1	1	380-420/660 VD (Period 9310-)		Δ	1	Shaft seal, complete, FPM	31438-0206-3
		SMS	31438-0393-2			380-420/660 VD		25	1	Spring	31438-0057-1
		DIN	31438-0393-3	10	1	Casing cover with sanitary fittings. Connections 76 mm		26	1	O-ring	260104-39
		ISO clamp	31438-0393-4			ISO male	31438-0392-1	27	1	Rotating seal ring	31438-0056-1
11	1	Impeller	31438-0393-5			SMS	31438-0392-2	28	1	Stationary seal ring	31438-0071-1
12	1	Key	31438-0034-1			DIN	31438-0392-3	29	1	O-ring	260104-19
13	1	Nut	31438-0036-1			ISO clamp	31438-0392-4				
14	3	Cap nut (Period 9311-)	221851-15			BS	31438-0392-5	31438-0394-1			
14a	3	Handle (Period 9311-)	9611-99-2407			* MBT not available anymore.		31438-0394-2			
15	3	Screw	9611-99-2408					31438-0394-3			
15a	3	Washer (Period 9311-)	9611-99-0706					31438-0394-4			
16	2	Screw	2210947-16					31438-0394-5			
17	2	Washer	223107-22								
18	1	Support bar, right, M2AA (Period 9310-)	9612-1322-06								
19	1	Support bar, right, MBT (Period 8909-9310)	9612-1322-02								
		Support bar, left, M2AA (Period 9310-)	9612-1323-06								
		Support bar, left, MBT (Period 8909-9310)	9612-1323-02								
20	4	Leg	9612-3967-01								
21	4	Screw (Period 9711-)	9611-99-0273								
22	4	Screw (Period 9711-)	9611-99-1907								
23	4	Nut	9611-99-0353								
24	1	Screw	9611-99-1911								
24	1	Thrower	31438-0045-1								
30	4	Spring washer	9611-99-1887								
31	1	Shroud, M2AA (Period 9310-)	9612-1390-08								
31	1	Shroud, MBT (Period 8909-9310)	9612-1390-04								
34	4	Screw	9611-99-3240								
35	1	Edge list (included in pos. 31)									
42	4	Distance sleeve	9611-99-2737								
<b>Accessories (Delivered with every new pump)</b>											
1	1	Spanner for stationary seal ring	31438-0335-1								
<b>Alternatives</b>											
43	1	Casing cover with noise-reducing valve (pos. 44)									
		ISO male	9612-3878-06			9612-3878-11					
		SMS	9612-3878-07			9612-3878-12					
		DIN	9612-3878-08			9612-3878-13					
		ISO clamp	9612-3878-09			9612-3878-14					
		BS	9612-3878-10			9612-3878-15					
44	1	Noise-reducing valve complete with welding male part	9612-3641-01			9612-3641-01					
<b>Older parts (Period -9103)</b>											
36	1	Pump casing with sanitary fittings. Connections 76 mm									
		ISO male	31438-0221-1			31438-0221-1					
		SMS	31438-0221-2			31438-0221-2					
		DIN	31438-0221-3			31438-0221-3					
		ISO clamp	31438-0221-4			31438-0221-4					
		BS	31438-0221-5			31438-0221-5					
37	1	Casing cover with sanitary fittings. Connections 76 mm									
		ISO male	31438-0219-1			31438-0218-1					
		SMS	31438-0219-2			31438-0218-2					
		DIN	31438-0219-3			31438-0218-3					
		ISO clamp	31438-0219-4			31438-0218-4					
		BS	31438-0219-5			31438-0218-5					
38	2	Clamp screw	31452-0097-1			31452-0097-1					
39	2	Screw	221126-09			221126-09					
40	2	Clamp	31438-0205-1			31438-0205-1					
41	1	Cylindrical pin	222111-13			222111-13					
<b>Alternatives</b>											
		Shaft seal, complete, EPDM SiC./SiC.	31438-0206-4								
25	1	Spring	31438-0057-1								
26	1	O-ring	260104-33								
27	1	Rotating seal ring	31438-0056-4								
28	1	Stationary seal ring SiC.	31438-0071-2								
29	1	O-ring	260104-34								
<b>Shaft seal, complete, NBR SiC./SiC.</b>											
25	1	Spring	31438-0057-1								
26	1	O-ring	223406-51								
27	1	Rotating seal ring SiC.	31438-0056-4								
28	1	Stationary seal ring SiC.	31438-0071-2								
29	1	O-ring	223406-60								
<b>Shaft seal, complete, FPM SiC./SiC.</b>											
25	1	Spring	31438-0057-1								
26	1	O-ring	260104-39								
27	1	Rotating seal ring SiC.	31438-0056-4								
28	1	Stationary seal ring SiC.	31438-0071-2								
29	1	O-ring	260104-19								
Δ		Service kit, EPDM	9611-92-1081								
Δ		Service kit, NBR	9611-92-1082								
Δ		Service kit, FPM	9611-92-1083								
Parts marked with Δ are included in the Service kits.											